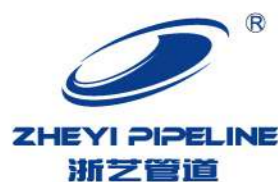




[ 客服热线 ]

CUSTOMER SERVICE HOTLINE

**400-870-8858**



嘉兴南艺管业股份有限公司

JIAXING NANYI PIPELINE INDUSTRY CO.,LTD

地址:浙江省嘉兴市南湖区新丰镇双龙路688号

Add:No. 688 Shuanglong Road, Xinfeng Town, Nanhu District,

Jiaxing City, Zhejiang Province

电话/Tel:0573-83127016 83127019 83127020

传真/Fax: 0573-83121999

网址/Web: www.chinazheyi.com

邮箱/E-mail:cnzheyi@cnzheyi.com

浙艺管业(武汉)有限公司

ZHEYI PIPELINE (WUHAN) CO., LTD

地址:湖北省孝感市临空经济园区凤起路1号(毗邻天河机场)

Add:No.1 Fengqi Road, Lingkong Economic Park, Xiaogan City,

Hubei Province (adjacent to Tianhe Airport)

电话/Tel:0712-2777789

网址/Web: www.chinazheyi.com



版本号 / Version: G1 电子书 / E-book

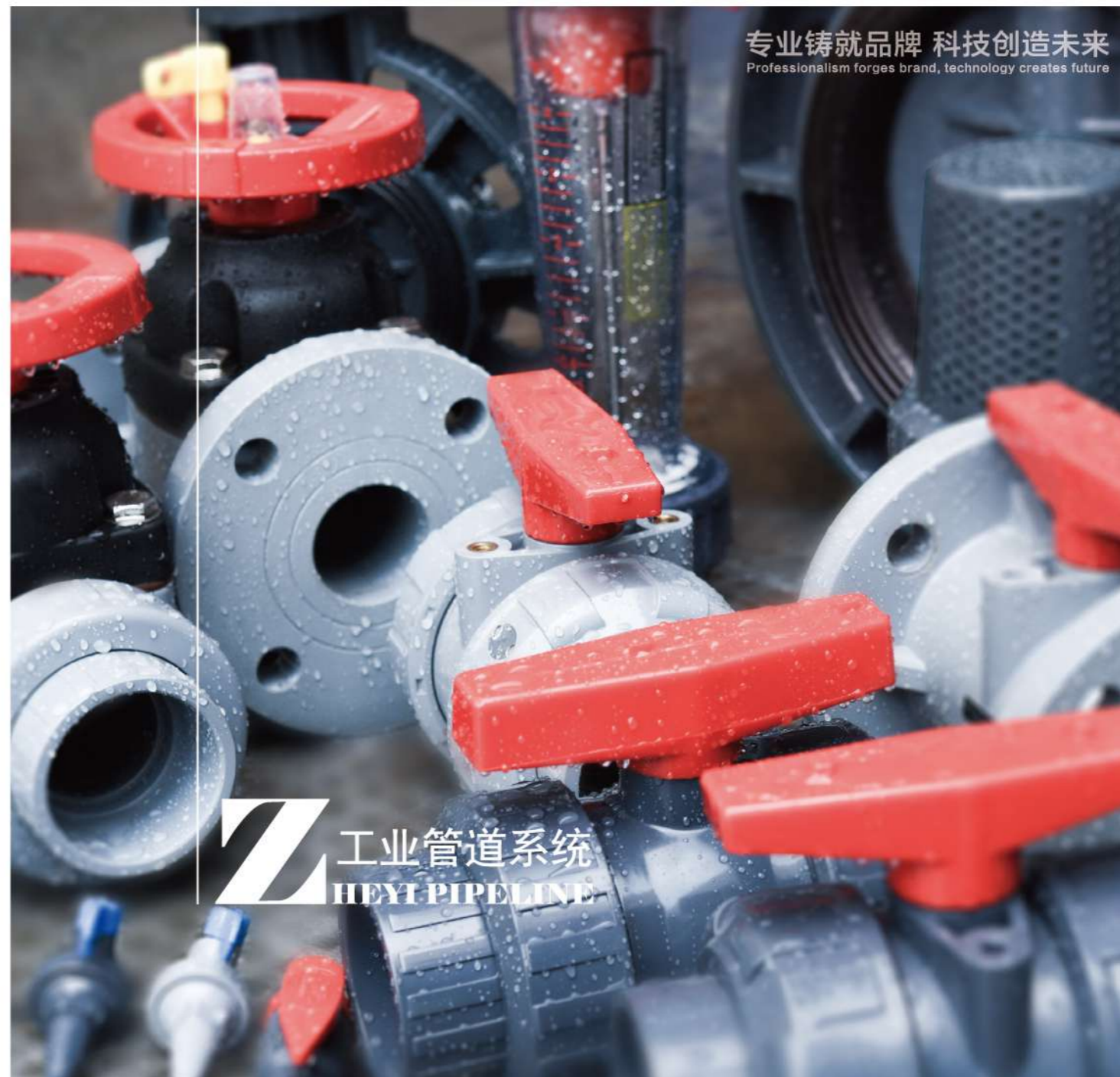


ZHEYI PIPELINE

浙艺管道

UPVC、CPVC

专业铸就品牌 科技创造未来  
Professionalism forges brand, technology creates future



工业管道系统  
ZHEYI PIPELINE

浙艺集团  
ZHEYI Group

嘉兴南艺管业股份有限公司  
JIAXING NANYI PIPELINE INDUSTRY CO., LTD  
浙艺管业(武汉)有限公司  
ZHEYI PIPELINE (WUHAN) CO., LTD



## 公司简介

浙艺集团创建于2007年，专业从事CPVC、UPVC工业管道研发、生产、销售及服务。集团现有华东和华中两大生产基地。华东基地为嘉兴南艺管业股份有限公司，位于中国红船精神发源地—嘉兴南湖；华中基地为浙艺管业（武汉）有限公司，位于孝感临空经济园区，毗邻武汉天河机场，交通便利，基础设施完善。

本公司作为国家高新技术企业、浙江省专精特新中小企业、浙江省高成长科技型中小企业、嘉兴市级技术中心，已取得中华人民共和国特种设备生产许可证、浙江省卫生涉水产品生产许可批件，通过ISO9001质量管理体系、ISO14001环境管理体系、ISO45001职业健康管理体系等认证，拥有发明创造、实用新型50余项自主知识产权和自营进出口权。

为了丰富优化产品类型，更好的服务于客户，公司从德国、美国引进先进技术、工装设备和专用原料及管理体系。多年以来，公司所生产产品广泛应用于化工、冶金、光伏、核电、锂电、电子半导体、食品、医药、汽车、工业水处理等行业中的酸碱液体、超高纯水、饮用水、电子级水、工业废水等的管路输送。目前，浙艺集团在全国设立30余家销售公司，系列产品远销欧美、东南亚等国家和地区，产品深受海内外客户喜爱。

为了让工业管道不再跑冒滴漏，浙艺人始终秉承“精益求精、诚信担当、合作共赢、持续发展”的核心价值观，以创民族品牌为己任，致力成为中国非金属压力管道行业的标杆！

## About us

ZHEYI Group was founded in 2007, specialising in R&D, manufacturing, selling and service of industrial pipelines of CPVC, UPVC. Our group is based in both East China and Central China. The base in East China, also known as Jiaxing Nanyi Pipeline Industry Co., LTD is located in Nanhu, Jiaxing, the birthplace of Chinese Red Boat Spirit. The Central China base is ZHEYI Pipeline (Wuhan) Co., LTD., located in Xiaogan Linkong Economic Park, which is adjacent to Wuhan Tianhe Airport, with convenient transportation and perfect infrastructure.

The company is a national high-tech enterprise, also known as Zhejiang provincial small and medium-sized enterprise of specialising in ultra new, Zhejiang provincial high growth technology-based small and medium-sized enterprises and Jiaxing municipal level technology centre. It has obtained Production License of Special Equipment, Zhejiang Province water-related products sanitary license approval document, ISO9001 quality management system certificate, ISO14001 environmental management system certificate, ISO45001 occupational health and safety management system certificate and other certificates. It also holds more than 50 independent intellectual property rights and self-management import and export power.

To provide diversified products and better service, the company has introduced advanced technology, tooling equipment and unique raw materials and management system from Germany and America. Over the years, our products are widely used in chemical industry, metallurgy, photovoltaic, nuclear power, lithium, electronic semiconductor, food, medicine, automotive, industrial water treatment and other industries in acid and alkali liquid, ultra-pure water, drinking water, electronic grade water, industrial wastewater pipeline transportation. Currently, ZHEYI Group has set up over 30 sales companies nationwide. Categories of products are exported to Europe, America, Southeast Asia and other countries and regions. Our products are welcome by customers in domestic and international markets.

To ensure excellent quality of industrial pipelines, ZHEYI people have always adhered to the core values of "Excellence, Integrity, Win-win cooperation and Sustainable development", taken the responsibility of creating a national brand, and committed to becoming the benchmark of China's non-metallic pressure pipeline industry!

## 产品、实验室 PRODUCTS LABORATORY 性能测试 Performance testing

“浙艺管道”产品不仅追求完美的外观，更注重的是内在的质量性能测试：密度测试，维卡软化温度测试，烘箱试验，静液压试验以及落锤冲击试验。

“Zheyi Pipeline” not only pursue product appearance to be perfect, but also put emphasize on product performance, including Density testing, Vicat softening temperature testing, Oven testing, Water pressure testing and falling weight impact testing.





## 车间、仓库

### WORKSHOP WAREHOUSE

质量控制 Quality control

引进德国、美国的先进生产设备和专用的原料（日本积水、美国路博润），在完善的生产工艺和专业的管理指导下，从生产、检验到出厂，“浙艺”的每个产品都是经过严格的质量把控，力求达到外观和性能的双完美。

“Zheyi” introduce world class equipment from Germany、America and import raw material from Sekisui- Lubrizol, under the guide of perfect products have strict quality control from production, inspect to ship.



# 企业资质和荣誉

ENTERPRISE QUALIFICATIONS AND HONORS



▶ 中华人民共和国  
特种设备生产许可证  
Special Equipment Production License of  
the People's Republic of China

- ▶ 工程建设推荐产品  
Recommended products for engineering construction
- ▶ 中国氯碱协会会员企业  
Member enterprises of China Chlor Alkali Association
- ▶ 浙江省塑料行业协会会员企业  
Member enterprise of Zhejiang Plastic Industry Association
- ▶ 国家高新技术企业  
National high-tech enterprise
- ▶ 安全生产标准化三级企业  
Level 3 enterprise for safety production standardization
- ▶ 嘉兴市市级高新技术研究开发中心  
Jiaxing Municipal High Tech Research and Development Center
- ▶ 浙江省科技型中小企业  
Zhejiang Province's technology-based small and medium-sized enterprises
- ▶ 中国工业防腐蚀协会企业  
China Industrial Anti Corrosion Association Enterprise
- ▶ 浙江省专精特新中小企业  
Zhejiang Province Specialized, Refined, Unique and New Small and Medium sized Enterprises





# 企业资质和荣誉

ENTERPRISE QUALIFICATIONS  
AND HONORS

- ▶ ISO9001质量管理体系认证  
ISO9001 Quality Management System Certification
- ▶ ISO14001环境管理体系认证  
ISO14001 Environmental Management System Certification
- ▶ ISO45001职业健康安全管理体系认证  
ISO45001 Occupational Health and Safety Management System Certification

▶ 浙江卫生涉水许可批件  
Zhejiang Health Water related Permit Approval



### 冶金行业 Metallurgical Industry



浙江江铜和鼎铜业  
Zhejiang Jiangtong heding Copper Co., Ltd.



包钢稀土冶炼  
Baotou Iron and Steel Rare Earth Smelting

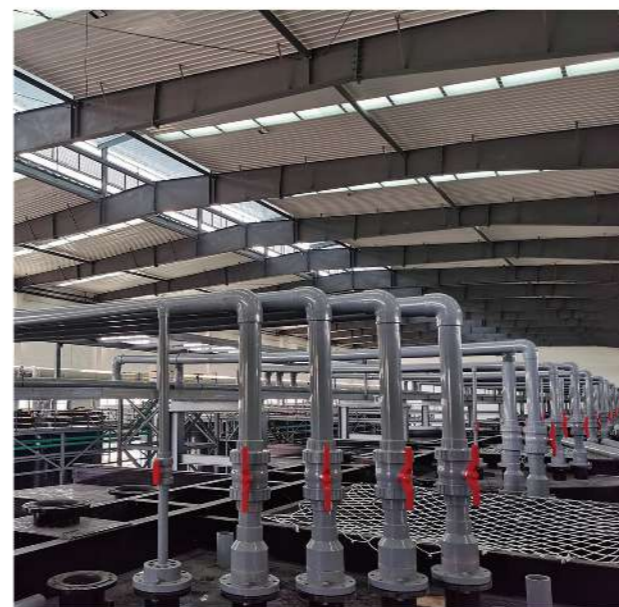


浙江科菲  
Zhejiang Kefei

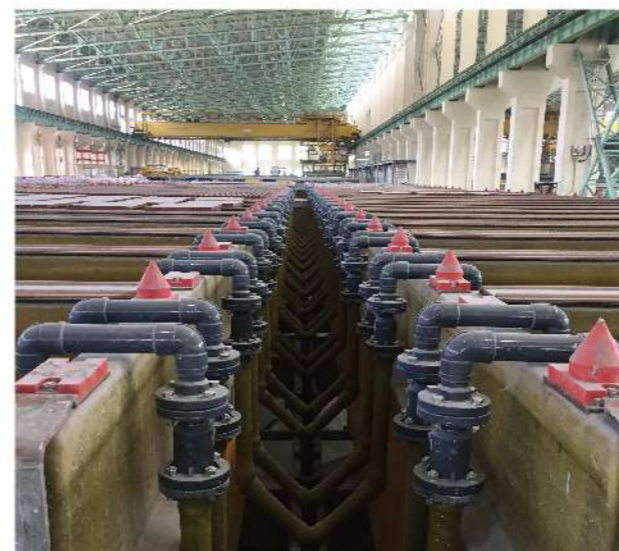


江西岩瑞铜业  
Jiangxi Yanrui Copper

### 锂电行业 Lithium battery industry



湖南邦普  
Hunan Bangpu



湖北格林美  
Hubei Green Eco Manufacture



寒锐钴业  
Hanrui Cobalt Co., Ltd.



厦门钨业  
Xiamen Tungsten Industry Co., Ltd.

化工行业 Chemical industry



河南新乡化纤  
Henan Xinxiang Chemical Fiber



安徽华星化工  
Anhui Huaxing Chemical Industry Co., Ltd.



合肥优耐德  
Hefei United Initiators



浙江嘉化集团  
Zhejiang Jiahua Group

电子行业 Electronic industry



浙江丰川电子  
Zhejiang FengChuan Electronics



上海美维科技  
Shanghai Meiwei Technology

IT



广州LG集团  
Guangzhou LG Group

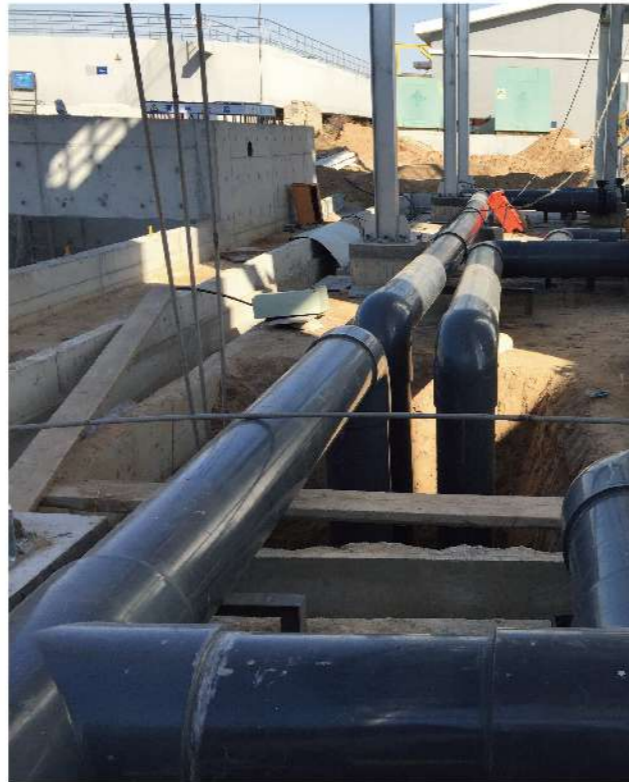
上海富士康  
Shanghai Foxconn





### 水处理行业 Water Treatment Industry

- 1 马钢脱盐水项目 Maanshan Iron & Steel Desalination Water Project
- 2 大同污水处理厂项目 Datong Sewage Treatment Plant Project
- 3 福莱特集团 Flat Group
- 4 成都美富特集团 Chengdu Meift Group



### 电镀行业 Electroplating industry



乐清环保电镀园区  
Yueqing Environmental Protection Electroplating Park

玉环福天宝环保科技有限公司  
Yuhuan Futianbao Environmental Protection Technology Co., Ltd.

### 食品行业 Food industry



武汉中粮集团 安徽丰原集团  
Wuhan COFCO Group BBCA Group

### 光伏行业 Photovoltaic industry

和光同程  
He Guang Tongcheng





# 目录 CONTENTS

- 02-04 ▶ UPVC管材系列 UPVC pipes
- 05-06 ▶ CPVC管材系列 CPVC pipes
- 07-08 ▶ UPVC/CPVC ANSI 美标系列  
UPVC/CPVC ANSI American standard series
- 09-28 ▶ UPVC/CPVC管件系列 UPVC/CPVC Pipe fitting
- 29-45 ▶ UPVC/CPVC阀门系列 UPVC/CPVC valve
- 46-49 ▶ UPVC/CPVC管道粘接原理  
UPVC/CPVC pipelines bonding principle
- 50 ▶ UPVC/CPVC管道系统支撑数据表  
UPVC/CPVC supporting table of pipelines
- 51-61 ▶ 耐化学腐蚀性能表  
Chemical corrosion resistance table
- 62 ▶ 合作伙伴 Partner

## 执行标准 Standards

执行标准: GB/10002.1、GB/T10002.2 Standards: GB/10002.1、GB/T10002.2

## 主要使用性能 Main function performance

使用温度:  $-10^{\circ}\text{C}\sim 60^{\circ}\text{C}$  Temperature range:  $-10^{\circ}\text{C}\sim 60^{\circ}\text{C}$   
 使用压力:  $-0.001\sim 1.6\text{Mpa}$  Pressure range:  $-0.001\sim 1.6\text{Mpa}$   
 线膨胀系数:  $7.0\times 10^{-5}\text{m/m}\cdot^{\circ}\text{C}$  Linear thermal expansion:  $7.0\times 10^{-5}\text{m/m}\cdot^{\circ}\text{C}$

## 管材、管件的物理性能 Main performances

检验项目 Test Items	技术要求 Technical Requirements	试验方法 Test Standard
密度 Density	1350 ~ 1460kg/m <sup>3</sup>	GB/T1033
维卡软化温度 (管材) Vicat Softening Temperature (Pipes)	$\geq 80^{\circ}\text{C}$	GB/T8802
维卡软化温度 (管件) Vicat Softening Temperature (Fittings)	$\geq 74^{\circ}\text{C}$	GB/T8802
纵向回缩率 (管材) Longitudinal Reversion (Pipes)	$\leq 5\%$	GB/T6671
不透光性 Opacity Test	不透光 Light-proof	GB/T10002.1
卫生性能 Sanitation Performance	符合Meets GB/T 17219	GB/T17219
VCM含量 VCM Content	$\leq 1\text{mg/kg}$	GB/T4615
二氯甲烷浸渍试验 CH <sub>2</sub> Cl <sub>2</sub> Immersion Test	表面变化不劣于4N Surface changes are not inferior to 4N	GB/T13526
烘箱试验 (管件) Oven Test (Fittings)	无脱层、无开裂 No Stratification&cracking	GB/T8803

## 管材的力学性能 Main performances

检验项目 Test Items	公称外径 Nominal Outside Diameter	试验参数 Test Parameter			技术要求 Technical Requirements
		试验温度/ $^{\circ}\text{C}$ Temperature	试验时间/h Time	静液压应力/Mpa Pressure	
静液压试验 Water Pressure Test	dn < 40	20	1	36	无破裂、无渗漏 No crack&leakage
	dn $\geq$ 40	20	1	38	
	所有规格	20	100	30	
	所有规格	60	1000	10	
落锤冲击试验 (0 $^{\circ}\text{C}$ TIR) Falling Weight Impact Test					$\leq 5\%$

## 管件的力学性能 Main performances

检验项目 Test Items	公称外径 Nominal Outside Diameter	试验参数 Test Parameter			技术要求 Technical Requirements
		试验温度/ $^{\circ}\text{C}$ Temperature	试验时间/h Time	静液压应力/Mpa Pressure	
静液压试验 Water Pressure Test	dn $\leq$ 90	20	1	4.2 $\times$ PN	无破裂、无渗漏 No crack&leakage
			1000	3.2 $\times$ PN	
	dn > 90	20	1	3.36 $\times$ PN	
			1000	2.56 $\times$ PN	
坠落试验 (0 $^{\circ}\text{C}$ ) Drop Test					无裂纹、无破裂 No crack&broken

**执行标准 Standards**

执行标准: GB/T4219.1、GB/T4219.2 Standards: GB/T4219.1、GB/T4219.2

**主要使用性能 Main function performance**

使用温度: -10°C~60°C Temperature range: -10°C~60°C  
 使用压力: -0.001~1.6Mpa Pressure range: -0.001~1.6Mpa  
 线膨胀系数:  $7.0 \times 10^{-5} \text{m/m} \cdot ^\circ\text{C}$  Linear thermal expansion:  $7.0 \times 10^{-5} \text{m/m} \cdot ^\circ\text{C}$

**管材、管件的物理性能 Main performances**

检验项目 Test Items	技术要求 Technical Requirements	试验方法 Test Standard
密度 Density	1330 ~ 1460kg/m <sup>3</sup>	GB/T1033
维卡软化温度 (管材) Vicat Softening Temperature (Pipes)	≥80°C	GB/T8802
维卡软化温度 (管件) Vicat Softening Temperature (Fittings)	≥74°C	GB/T8802
纵向回缩率 (管材) Longitudinal Reversion (Pipes)	≤5%	GB/T6671
二氯甲烷浸渍试验 CH <sub>2</sub> Cl <sub>2</sub> Immersion Test	试样表面无破坏 No Stratification&cracking	GB/T13526
烘箱试验 (管件) Oven Test (Fittings)	无脱层、无开裂 No Stratification&cracking	GB/T8803

**管材的力学性能 Main performances**

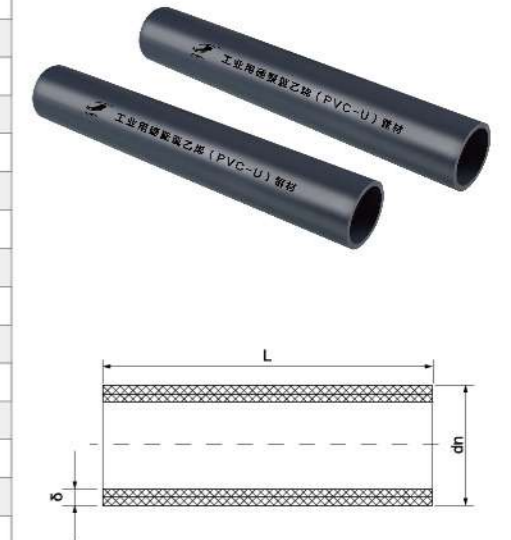
检验项目 Test Items	试验参数 Test Parameter			技术要求 Technical Requirements
	试验温度/°C Temperature	试验时间/h Time	静液压应力/Mpa Pressure	
静液压试验 Water Pressure Test	20	1	40	无破裂、无渗漏 No crack&leakage
	20	100	34	
	20	1000	30	
	60	1000	10	
落锤冲击试验 (0°C TIR) Falling Weight Impact Test				≤10%
拉伸屈服应力 Ultimate Tensile Strength				≥45Mpa
扁平试验 Flattening Test				无裂纹、无破裂 No crack&broken

**管件的力学性能 Main performances**

检验项目 Test Items	试验参数 Test Parameter			技术要求 Technical Requirements
	试验温度/°C Temperature	试验时间/h Time	静液压应力/Mpa Pressure	
静液压试验 Water Pressure Test	20	1	40	无破裂、无渗漏 No crack&leakage
	20	100	34	
	20	1000	30	
	60	1000	10	
坠落试验 (0°C) Drop Test				无裂纹、无破裂 No crack&broken

**UPVC压力管道 UPVC Pressure pipes**

公称外径 dn	公称通径 DN	壁厚 Wallthickness			
		给水用		化工用	
		1.0Mpa	1.6Mpa	S10	S6.3
20	15	-	-	-	2.0 <sup>+0.4</sup> <sub>0</sub> (S5)
25	20	-	2.0 <sup>+0.4</sup> <sub>0</sub>	-	2.0 <sup>+0.4</sup> <sub>0</sub>
32	25	-	2.4 <sup>+0.5</sup> <sub>0</sub>	-	2.4 <sup>+0.5</sup> <sub>0</sub>
40	32	2.0 <sup>+0.4</sup> <sub>0</sub>	3.0 <sup>+0.6</sup> <sub>0</sub>	2.4 <sup>+0.5</sup> <sub>0</sub> (S8)	3.0 <sup>+0.5</sup> <sub>0</sub>
50	40	2.4 <sup>+0.5</sup> <sub>0</sub>	3.7 <sup>+0.6</sup> <sub>0</sub>	3.0 <sup>+0.5</sup> <sub>0</sub> (S8)	3.7 <sup>+0.6</sup> <sub>0</sub>
63	50	3.0 <sup>+0.5</sup> <sub>0</sub>	4.7 <sup>+0.7</sup> <sub>0</sub>	3.0 <sup>+0.5</sup> <sub>0</sub>	4.7 <sup>+0.7</sup> <sub>0</sub>
75	65	3.6 <sup>+0.6</sup> <sub>0</sub>	5.6 <sup>+0.8</sup> <sub>0</sub>	3.6 <sup>+0.6</sup> <sub>0</sub>	5.6 <sup>+0.8</sup> <sub>0</sub>
90	80	4.3 <sup>+0.7</sup> <sub>0</sub>	6.7 <sup>+0.9</sup> <sub>0</sub>	4.3 <sup>+0.7</sup> <sub>0</sub>	6.7 <sup>+0.9</sup> <sub>0</sub>
110	100	4.2 <sup>+0.7</sup> <sub>0</sub>	6.6 <sup>+1.0</sup> <sub>0</sub>	5.3 <sup>+0.8</sup> <sub>0</sub>	8.1 <sup>+1.1</sup> <sub>0</sub>
140	125	5.4 <sup>+0.8</sup> <sub>0</sub>	8.3 <sup>+1.1</sup> <sub>0</sub>	6.7 <sup>+0.9</sup> <sub>0</sub>	10.3 <sup>+1.3</sup> <sub>0</sub>
160	150	6.2 <sup>+0.9</sup> <sub>0</sub>	9.5 <sup>+1.3</sup> <sub>0</sub>	7.7 <sup>+1.0</sup> <sub>0</sub>	11.8 <sup>+1.4</sup> <sub>0</sub>
225	200	8.6 <sup>+1.1</sup> <sub>0</sub>	13.4 <sup>+1.6</sup> <sub>0</sub>	10.8 <sup>+1.3</sup> <sub>0</sub>	16.6 <sup>+1.9</sup> <sub>0</sub>
280	250	10.7 <sup>+1.3</sup> <sub>0</sub>	16.6 <sup>+1.9</sup> <sub>0</sub>	13.4 <sup>+1.6</sup> <sub>0</sub>	20.6 <sup>+2.3</sup> <sub>0</sub>
315	300	12.1 <sup>+1.5</sup> <sub>0</sub>	18.7 <sup>+2.1</sup> <sub>0</sub>	15.0 <sup>+1.7</sup> <sub>0</sub>	23.2 <sup>+2.6</sup> <sub>0</sub>
355	350	13.6 <sup>+1.6</sup> <sub>0</sub>	-	16.9 <sup>+1.9</sup> <sub>0</sub>	-
400	400	15.3 <sup>+1.8</sup> <sub>0</sub>	-	19.1 <sup>+2.2</sup> <sub>0</sub>	-
450	450	17.2 <sup>+2.0</sup> <sub>0</sub>	-	21.5 <sup>+2.4</sup> <sub>0</sub>	-
500	500	19.1 <sup>+2.2</sup> <sub>0</sub>	-	23.9 <sup>+2.6</sup> <sub>0</sub>	-
630	600	24.1 <sup>+2.7</sup> <sub>0</sub>	-	30.0 <sup>+3.3</sup> <sub>0</sub>	-
710	700	27.2 <sup>+3.0</sup> <sub>0</sub>	-	-	-



L: 标准长度为4m, 批量L长度可定制。管壁厚请以当前厂方规定为准。

**UPVC给水、工业用管道系统适用场所**

**UPVC Pipelines are suitable for the following application**

- |                  |  |
|------------------|--|
| (1) 自来水工程        | (1) Potable water                              |
| (2) 电气工程         | (2) Electrical                                 |
| (3) 建筑工程         | (3) Construction                               |
| (4) 下水道工程        | (4) Ground water                               |
| (5) 盐水工程         | (5) Brine                                      |
| (6) 天然气工程        | (6) Natural gas                                |
| (7) 化学工程         | (7) Chemical plant                             |
| (8) 造纸工程         | (8) Paper mill                                 |
| (9) 电镀工程         | (9) Electro-plating plant                      |
| (10) 酿造发酵工厂      | (10) Brewing and ferment plant                 |
| (11) 矿场          | (11) Mining                                    |
| (12) 养殖业         | (12) Aquaculture                               |
| (13) 农业园地        | (13) Agricultural                              |
| (14) 高速公路工程      | (14) Free way                                  |
| (15) 工业废水排送管     | (15) Waste water transmission                  |
| (16) 煤矿灌浆用管      | (16) Grouting for coal mines                   |
| (17) 电力、通信穿线管    | (17) Conduit for electricity and communication |
| (18) 泳池循环用管      | (18) Swimming pool                             |
| (19) 化学酸碱腐蚀介质输送管 | (19) Transmission for acid and alkali media    |

**执行标准 Standards**

执行标准: GB/T18998.1、GB/T18998.2、GB/T18998.3  
Standards: GB/T18998.1、GB/T18998.2、GB/T18998.3

**主要使用性能 Main function performance**

使用温度: -10℃ ~ 90℃      Temperature range: -10℃ ~ 90℃  
使用压力: -0.001 ~ 1.6Mpa      Pressure range: -0.001 ~ 1.6Mpa  
线膨胀系数:  $6.0 \times 10^{-5} \text{m/m} \cdot \text{°C}$       Linear thermal expansion:  $6.0 \times 10^{-5} \text{m/m} \cdot \text{°C}$

**管材、管件的物理性能 Main performances**

检验项目 Test Items	技术要求 Technical Requirements	试验方法 Test Standard
密度 Density	1450 ~ 1650kg/m <sup>3</sup>	GB/T1033
维卡软化温度(管材) Vicat Softening Temperature (Pipes)	≥ 110℃	GB/T8802
维卡软化温度(管件) Vicat Softening Temperature (Fittings)	≥ 103℃	GB/T8802
纵向回缩率(管材) Longitudinal Reversion (Pipes)	≤ 5%	GB/T6671
氯含量(质量百分比) Chlorinity(mass percent)	≥ 60%	GB/T7139
烘箱试验(管件) Oven Test (Fittings)	无脱层、无开裂 No Stratification&cracking	GB/T8803

**管材的力学性能 Main performances**

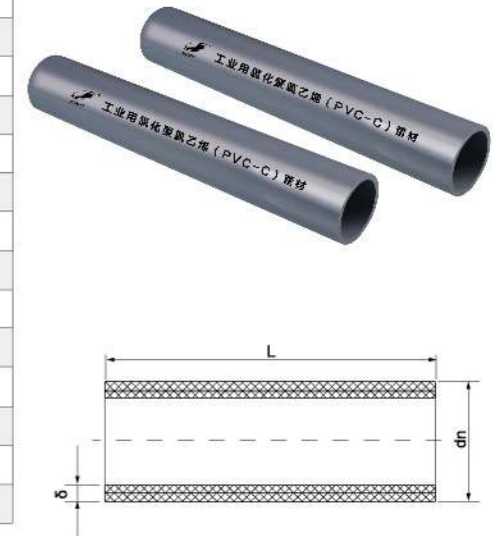
检验项目 Test Items	试验参数 Test Parameter			技术要求 Technical Requirements
	试验温度/℃ Temperature	试验时间/h Time	静液压应力/Mpa Pressure	
静液压试验 Water Pressure Test	20	≥ 1	43.0	无破裂、无渗漏 No crack&leakage
	95	≥ 165	5.6	
	95	≥ 1000	4.6	
静液压状态下热稳定性试验 Thermal Stability Test Under A Hydrostatic State	95	≥ 8760	3.6	无破裂、无渗漏 No crack&leakage
落锤冲击试验(0℃ TIR) Falling Weight Impact Test				≤ 10%
拉伸屈服应力 Ultimate Tensile Strength				≥ 56Mpa

**管件的力学性能 Main performances**

检验项目 Test Items	试验参数 Test Parameter			技术要求 Technical Requirements
	试验温度/℃ Temperature	试验时间/h Time	静液压应力/Mpa Pressure	
静液压试验 Water Pressure Test	20	≥ 1000	28.5	无破裂、无渗漏 No crack&leakage
	60	≥ 1	21.1	
	80	≥ 1000	6.9	
静液压状态下热稳定性试验 Thermal Stability Test Under A Hydrostatic State	90	≥ 17520	2.85	无破裂、无渗漏 No crack&leakage

**工业用CPVC管材 CPVC Pipes for industrial**

公称外径 dn	公称通径 DN	壁厚及偏差	
		S10 1.0Mpa	S6.3 1.6Mpa
20	15	-	2.0 <sup>+0.4</sup> <sub>0</sub> (S5)
25	20	-	2.3 <sup>+0.5</sup> <sub>0</sub> (S5)
32	25	-	2.4 <sup>+0.5</sup> <sub>0</sub>
40	32	2.0 <sup>+0.4</sup> <sub>0</sub>	3.0 <sup>+0.5</sup> <sub>0</sub>
50	40	2.4 <sup>+0.5</sup> <sub>0</sub>	3.7 <sup>+0.6</sup> <sub>0</sub>
63	50	3.0 <sup>+0.5</sup> <sub>0</sub>	4.7 <sup>+0.7</sup> <sub>0</sub>
75	65	3.6 <sup>+0.6</sup> <sub>0</sub>	5.6 <sup>+0.8</sup> <sub>0</sub>
90	80	4.3 <sup>+0.7</sup> <sub>0</sub>	6.7 <sup>+0.9</sup> <sub>0</sub>
110	100	5.3 <sup>+0.8</sup> <sub>0</sub>	8.1 <sup>+1.1</sup> <sub>0</sub>
140	125	6.7 <sup>+0.9</sup> <sub>0</sub>	10.3 <sup>+1.3</sup> <sub>0</sub>
160	150	7.7 <sup>+1.0</sup> <sub>0</sub>	11.8 <sup>+1.4</sup> <sub>0</sub>
225	200	10.8 <sup>+1.3</sup> <sub>0</sub>	16.6 <sup>+1.9</sup> <sub>0</sub>
280	250	13.4 <sup>+1.6</sup> <sub>0</sub>	-
315	300	15.0 <sup>+1.7</sup> <sub>0</sub>	-
355	350	16.9 <sup>+1.9</sup> <sub>0</sub>	-
400	400	19.1 <sup>+2.2</sup> <sub>0</sub>	-



L: 标准长度为4m,批量L长度可定制。

**CPVC管道系统适用场所**

**CPVC Pipelines are suitable for the following application**

化工厂、冶金厂、电镀厂、制药厂及炼油厂酸碱液的输送;  
纺织厂、制革厂的漂白、染色,工业废水输送及处理管道;  
电厂、矿厂、造纸厂、化肥厂及海水输送管道;  
半导体制造厂的消电离子水流处理系统;  
铝及苛性碱、二氧化氯、氯及氯碱厂工艺管道;加氯管道、氯化铝及氯化铁液管道、沉淀池及过滤管道、回收水处理管道;  
一次盐水、二次盐水过滤、电解进出槽碱管、淡水脱氯、氯酸盐分解,氯气处理、干燥管道系统;  
牛奶、酸奶、饮料、食品加工、工厂供水、配水、冷却水管道系统;

Transmission of acid or alkali fluids in chemical refineries,metallurgical plants,electro-planting plants,pharmaceutical factories and oil refineries;

Transmission and treatment pipelines for bleaching,dyeing and waste water in textile mill and tannery;

Power plant,Transmission for mines,paper mill fertilizer plant and seawater;

Water treatment in semiconductor factory;

Pipelines for aluminum plants,caustic alkali plants,chlorine dioxide plants,chlorine plants and chlor-alkali plants;

Pipelines for chlorination,aluminum chloride solution, ferric chloride solution,sedimentation and treatment of reclaimed water;

Pipelines for brine filtration,elec trobath,fresh water antichloration,chlorite decomposition,chlorde treatment and desic-cation;

Pipelines for milk,sour milk,beverage,foods and factory water supply;

Pipelines for cold or hot water,clean drinking water,solar-heated water,fire sprinklers,air conditioner water and hot springs.

### UPVC美标管材的物理力学性能

Physical and mechanical properties of UPVC American standard pipe

检验项目 Test Items	技术要求 Technical Requirements	试验方法 Test Standard
原料性能 Raw Material Properties	符合ASTM D1784(PVC1120)标准要求 Meet the requirements of ASTM D1784 (PVC1120) standard	—
尺寸 Size	符合ASTM D1785标准要求 Meet the requirements of ASTM D1785 standard	ASTM D2122
静液压试验 Hydrostatic Test	符合ASTM D1785标准要求 Meet the requirements of ASTM D1785 standard	ASTM D1598
爆破试验 Blasting Test	符合ASTM D1785标准要求 Meet the requirements of ASTM D1785 standard	ASTM D1599
扁平试验 Flat Test	压至两板间距为40%外径时无开裂 No cracking when pressed to 40% of the outer diameter between the two plates	ASTM D1785

### UPVC美标管件的物理力学性能

Physical and mechanical properties of UPVC American standard pipe fittings

检验项目 Test Items	技术要求 Technical Requirements	试验方法 Test Standard
原料性能 Raw Material Properties	符合ASTM D1784 ( Class12454 ) 标准要求 Comply with ASTM D1784 (Class12454) standard requirements	—
尺寸 Size	符合ASTM D2467标准要求 Meet the requirements of ASTM D2467 standard	ASTM D2122
爆破试验 Blasting Test	符合ASTM D2467标准要求 Meet the requirements of ASTM D2467 standard	ASTM D1599

### CPVC美标管材的物理力学性能

Physical and mechanical properties of CPVC American standard pipe

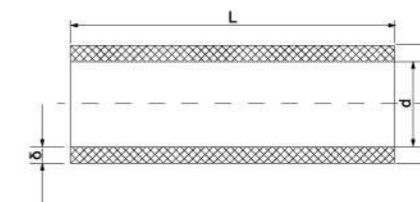
检验项目 Test Items	技术要求 Technical Requirements	试验方法 Test Standard
原料性能 Raw Material Properties	符合ASTM D1784 ( CPVC4120 ) 标准要求 Comply with ASTM D1784 (CPVC4120) standard requirements	—
尺寸 Size	符合ASTM F441标准要求 Meet the requirements of ASTM F441 standard	ASTM D2122
静液压试验 Hydrostatic Test	符合ASTM F441标准要求 Meet the requirements of ASTM F441 standard	ASTM D1598
爆破试验 Blasting Test	符合ASTM F441标准要求 Meet the requirements of ASTM F441 standard	ASTM D1599
扁平试验 Flat Test	压至两板间距为40%外径时无开裂 No cracking when pressed to 40% of the outer diameter between the two plates	ASTM F441

### CPVC美标管件的物理力学性能

Physical and mechanical properties of CPVC American standard pipe fittings

检验项目 Test Items	技术要求 Technical Requirements	试验方法 Test Standard
原料性能 Raw Material Properties	符合ASTM D1784 ( Class23447 ) 标准要求 Comply with ASTM D1784 (Class23447) standard requirements	—
尺寸 Size	符合ASTM F439标准要求 Meet the requirements of ASTM F439 standard	ASTM D2122
爆破试验 Blasting Test	符合ASTM F439标准要求 Meet the requirements of ASTM F439 standard	ASTM D1599

### 管材 Pipes



ANSI SCH80

Size	dn	Tolerance	δ(min)	Tolerance	d
1/2"	21.34	±0.10	3.73	+0.51	13.84
3/4"	26.67	±0.10	3.91	+0.51	18.88
1"	33.40	±0.13	4.55	+0.53	24.30
1 1/4"	42.16	±0.13	4.85	+0.58	32.50
1 1/2"	48.26	±0.15	5.08	+0.61	38.14
2"	60.33	±0.15	5.54	+0.66	49.22
2 1/2"	73.03	±0.18	7.01	+0.84	58.98
3"	88.90	±0.20	7.62	+0.91	73.66
4"	114.30	±0.23	8.56	+1.02	97.18
5"	141.30	±0.25	9.52	+1.14	122.26
6"	168.28	±0.28	10.97	+1.32	146.34
8"	219.08	±0.38	12.70	+1.52	193.68
10"	273.05	±0.38	15.06	+1.8	242.73
12"	323.85	±0.38	17.45	+2.08	288.95

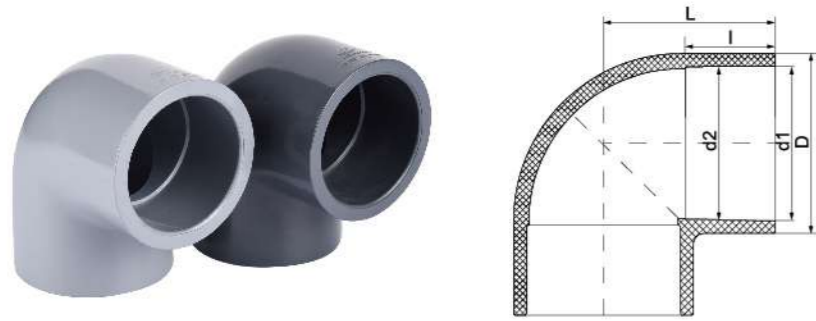
ANSI SCH40

Size	dn	Tolerance	δ(min)	Tolerance	d
1/2"	21.34	±0.10	2.77	+0.51	15.76
3/4"	26.67	±0.10	2.87	+0.51	20.96
1"	33.40	±0.13	3.38	+0.51	26.64
1 1/4"	42.16	±0.13	3.56	+0.51	35.08
1 1/2"	48.26	±0.15	3.68	+0.51	40.94
2"	60.33	±0.15	3.91	+0.51	52.48
2 1/2"	73.03	±0.18	5.16	+0.61	62.68
3"	88.90	±0.20	5.49	+0.66	77.92
4"	114.30	±0.23	6.02	+0.71	102.26
5"	141.30	±0.25	6.55	+0.79	128.20
6"	168.28	±0.28	7.11	+0.86	154.08
8"	219.08	±0.38	8.18	+0.99	202.74

### UPVC给水、工业用管道系统适用场所

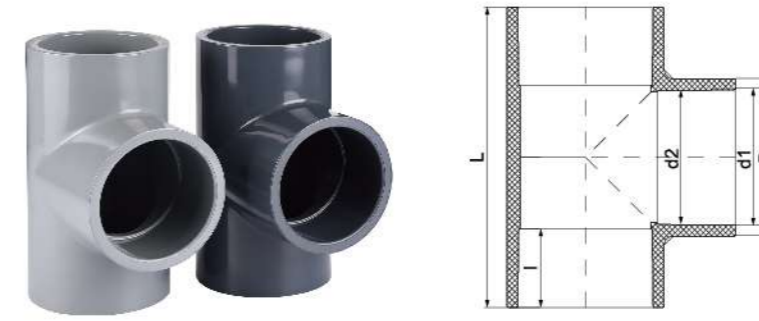
UPVC Pipelines are suitable for the following application

(1) 自来水工程	(1) Potable water
(2) 电气工程	(2) Electrical
(3) 建筑工程	(3) Construction
(4) 下水道工程	(4) Ground water
(5) 盐水工程	(5) Brine
(6) 天然气工程	(6) Natural gas
(7) 化学工程	(7) Chemical plant
(8) 造纸工程	(8) Paper mill
(9) 电镀工程	(9) Electro-plating plant
(10) 酿造发酵工厂	(10) Brewing and ferment plant
(11) 矿场	(11) Mining
(12) 养殖业	(12) Aquaculture
(13) 农业园地	(13) Agricultural
(14) 高速公路工程	(14) Free way
(15) 工业废水排送管	(15) Waste water transmission
(16) 煤矿灌浆用管	(16) Grouting for coal mines
(17) 电力、通信穿线管	(17) Conduit for electricity and communication
(18) 泳池循环用管	(18) Swimming pool
(19) 化学酸碱腐蚀介质输送管	(19) Transmission for acid and alkali media



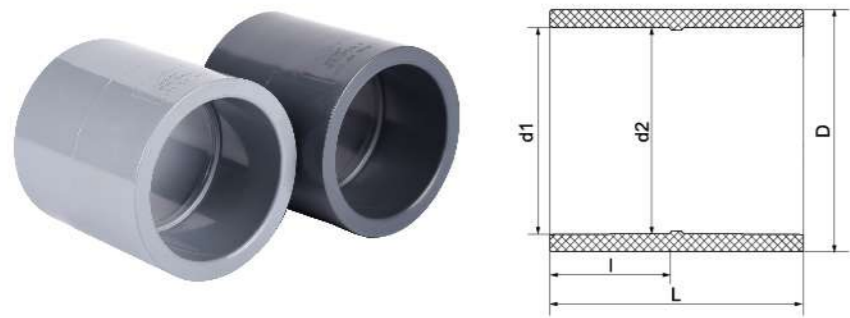
90°弯头 90° Elbow

NOM.	SIZE	dn20	dn25	dn32	dn40	dn50	dn63	dn75	dn90	dn110	dn140	dn160	dn225	dn280	dn315	
		(DN15)	(DN20)	(DN25)	(DN32)	(DN40)	(DN50)	(DN65)	(DN80)	(DN100)	(DN125)	(DN150)	(DN200)	(DN250)	(DN300)	
		(1/2")	(3/4")	(1")	(1-1/4")	(1-1/2")	(2")	(2-1/2")	(3")	(4")	(5")	(6")	(8")	(10")	(12")	
DIN	d1	20.3	25.3	32.3	40.3	50.3	63.3	75.3	90.3	110.4	140.5	160.5	226.25	281.45	316.85	
	d2	20.1	25.1	32.1	40.1	50.1	63.1	75.1	90.1	110.1	140.2	160.2	225.05	280.05	315.05	
	UPVC	D	26.5	32	39.6	49	60	74.6	88	104	127	161	185	259.4	310	344
		L	28	33.5	40	48.5	58.5	72	84	99	119	150	170	241.5	295	325
		I	16	19	22	26	31	38	44	51	61	76	86	119	146	165
	CPVC	D	26.5	32	41	50.2	62.8	79	91	108.6	132.4	164.4	188.6	259.4	310	344
		L	29	34	42	50.5	61	75	87	102.5	123	156	178	241.5	295	325
		I	16.5	19	22.5	26.5	31.5	38	44	51.5	61.5	76.5	86.5	119	146	165
	ANSI	d1	21.51	26.87	33.62	42.4	48.54	60.65	73.39	89.31	114.81	141.81	168.81	219.8	273.81	324.61
d2		21.25	26.6	33.3	42.06	48.18	60.27	72.9	88.8	114.21	141.11	168	218.8	272.67	323.47	
D		29.5	35.2	43.6	53.2	60	72.8	88	108	132	164	191	246	306	360	
L		35	41	48	56	63	72	86	102.5	122.5	156	170	220	278	328	
I		22.2	25.5	28.6	32.8	36	39	46	50.5	60	70	79.5	104	128	153	
JIS	d1	22.4	26.45	32.56	38.63	48.73	56.82	58.63	89.66	114.27	140.22	165.16	216.68	267.21	318.66	
	d2	21.75	25.7	31.71	37.67	47.76	55.77	57.67	88.63	113.2	139.01	163.9	214.6	264.88	315.88	
	D	29.5	35.2	43.6	53.2	60	72.8	88	108	132	164	191	246	306	360	
	L	35	41	48	56	63	72	86	102.5	122.5	156	170	220	278	328	
	I	22.2	25.5	28.6	32.8	36	39	46	50.5	60	70	79.5	104	128	153	



三通 Tee

NOM.	SIZE	dn20	dn25	dn32	dn40	dn50	dn63	dn75	dn90	dn110	dn140	dn160	dn225	dn280	dn315	
		(DN15)	(DN20)	(DN25)	(DN32)	(DN40)	(DN50)	(DN65)	(DN80)	(DN100)	(DN125)	(DN150)	(DN200)	(DN250)	(DN300)	
		(1/2")	(3/4")	(1")	(1-1/4")	(1-1/2")	(2")	(2-1/2")	(3")	(4")	(5")	(6")	(8")	(10")	(12")	
DIN	d1	20.3	25.3	32.3	40.3	50.3	63.3	75.3	90.3	110.4	140.5	160.5	226.25	281.45	316.85	
	d2	20.1	25.1	32.1	40.1	50.1	63.1	75.1	90.1	110.1	140.2	160.2	225.05	280.05	315.05	
	UPVC	D	26.5	32	39.6	49	60	74.6	88	104	127	161	185	259.4	312	345
		L	56	67	80	97	117	144	168	198	238	300	340	482	590	650
		I	16	19	22	26	31	38	44	51	61	76	86	119	146	164
	CPVC	D	26.5	32	41	50.2	62.8	79	91	108.6	132.4	164.4	188.6	259.4	312	345
		L	58	68	84	101	122	150	174	205	246	312	356	482	590	650
		I	16.5	19	22.5	26.5	31.5	38	44	51.5	61.5	76.5	86.5	119	146	164
	ANSI	d1	21.51	26.87	33.62	42.4	48.54	60.65	73.39	89.31	114.81	141.81	168.81	219.8	273.81	324.61
d2		21.25	26.6	33.3	42.06	48.18	60.27	72.9	88.8	114.21	141.11	168	218.8	272.67	323.47	
D		29.5	35	43.5	53.2	60	72.8	88	108	132	164	191	246	306	360	
L		70	82	96	112	126	144	172	204	245	310	340	440	556	656	
I		22.2	25.5	28.6	32.8	36	39	46	52	60	70	79.5	104	128	153	
JIS	d1	22.4	26.45	32.56	38.63	48.73	56.82	58.63	89.66	114.27	140.22	165.16	216.68	267.21	318.66	
	d2	21.75	25.7	31.71	37.67	47.76	55.77	57.67	88.63	113.2	139.01	163.9	214.6	264.88	315.88	
	D	29.5	35	43.5	53.2	60	72.8	88	108	132	164	191	246	306	360	
	L	70	82	96	112	126	144	172	204	245	310	340	440	556	656	
	I	22.2	25.5	28.6	32.8	36	39	46	52	60	70	79.5	104	128	153	



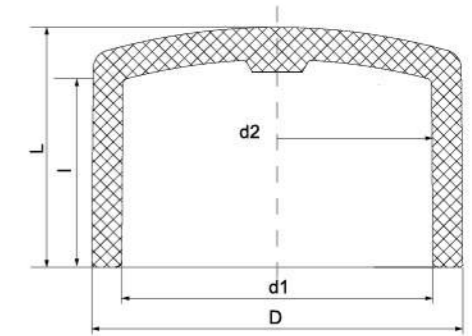
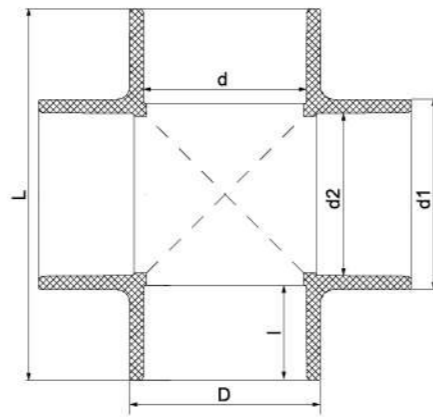
直通 Couple

NOM.	SIZE	dn20	dn25	dn32	dn40	dn50	dn63	dn75	dn90	dn110	dn140	dn160	dn225	dn280	dn315	
		(DN15)	(DN20)	(DN25)	(DN32)	(DN40)	(DN50)	(DN65)	(DN80)	(DN100)	(DN125)	(DN150)	(DN200)	(DN250)	(DN300)	
		(1/2")	(3/4")	(1")	(1-1/4")	(1-1/2")	(2")	(2-1/2")	(3")	(4")	(5")	(6")	(8")	(10")	(12")	
DIN	d1	20.3	25.3	32.3	40.3	50.3	63.3	75.3	90.3	110.4	140.5	160.5	226.25	281.45	316.85	
	d2	20.1	25.1	32.1	40.1	50.1	63.1	75.1	90.1	110.1	140.2	160.2	225.05	280.05	315.05	
	UPVC	D	26.5	32	39.8	49	60	74.6	88	104	127	161	185	259.4	310	350
		L	35	41	48	56	66	80	92	107	128	160	180	248	302	349
		I	16	19	22	26	31	38	44	51	61	76	86	119	146	165
	CPVC	D	26.5	32	41	50.6	62.8	79	91	108.6	132.4	164.4	188.6	259.4	310	350
		L	37	42	49	57	68	81	94	108	130	161	181	248	302	349
		I	16.75	19.25	22.5	26.5	31.5	38	44	51	61.5	76.5	86.5	119	146	165
	ANSI	d1	21.51	26.87	33.62	42.4	48.54	60.65	73.39	89.31	114.81	141.81	168.81	219.8	273.81	324.61
d2		21.25	26.6	33.33	42.06	48.18	60.27	72.9	88.8	114.21	141.11	168	218.8	272.67	323.47	
D		29.5	35.2	43.6	53.2	60	72.8	88	108	132	164	191	246	306	360	
L		48.5	55	61.2	69.6	77	83	97	108	130	160	168	218	266	317	
I		22.2	25.5	28.6	32.8	36	39	46	50.5	60	70	79.5	104	128	153	
JIS	d1	22.4	26.45	32.56	38.63	48.73	56.82	58.63	89.66	114.27	140.22	165.16	216.68	267.21	318.66	
	d2	21.75	25.7	31.71	37.67	47.76	55.77	57.67	88.63	113.2	139.01	163.9	214.6	264.88	315.88	
	D	29.5	35.2	43.6	53.2	60	72.8	88	108	132	164	191	246	306	360	
	L	48.5	55	61.2	69.6	77	83	97	108	130	160	168	218	266	317	
	I	22.2	25.5	28.6	32.8	36	39	46	50.5	60	70	79.5	104	128	153	



45° 弯头 45° Elbow

NOM.	SIZE	dn20	dn25	dn32	dn40	dn50	dn63	dn75	dn90	dn110	dn140	dn160	dn225	dn280	dn315	
		(DN15)	(DN20)	(DN25)	(DN32)	(DN40)	(DN50)	(DN65)	(DN80)	(DN100)	(DN125)	(DN150)	(DN200)	(DN250)	(DN300)	
		(1/2")	(3/4")	(1")	(1-1/4")	(1-1/2")	(2")	(2-1/2")	(3")	(4")	(5")	(6")	(8")	(10")	(12")	
DIN	d1	20.3	25.3	32.3	40.3	50.3	63.3	75.3	90.3	110.4	140.5	160.5	226.25	281.45	316.85	
	d2	20.1	25.1	32.1	40.1	50.1	63.1	75.1	90.1	110.1	140.2	160.2	225.05	280.05	315.05	
	UPVC	D	26.7	32	41	50	63	74.6	88	104	126.8	164	184.8	254	306	345
		L	23	26	31.5	38.5	46	54	67	72	86	114	125	178	212	233
		I	17	19	23	27	32	38	44	51	61	76	86	119	148	165
	CPVC	D	26.5	32	41	50.2	62.8	79	91	108.6	132.4	164.4	188.6	254	306	345
		L	23	26	31	38	46	56	65	76	91	114	129	178	212	233
		I	16.5	19	22.5	26.5	31.5	38	44	51	61.5	76.5	86.5	119	148	165
	ANSI	d1	21.51	26.87	33.62	42.4	48.54	60.65	73.39	89.31	114.81	141.81	168.81	220.06	273.81	324.61
d2		21.25	26.6	33.3	42.06	48.18	60.27	72.9	88.8	114.21	141.11	168	218.9	272.67	323.47	
D		30	35.5	43.6	53	60	72.8	88	108	132	164	191	254	306	345	
L		28.7	33.5	37	41.8	47	55	62	70.5	86	108.5	121.2	178	212	233	
I		22.2	25.5	28.6	31.8	35	39	44.5	50.5	60	70	76.2	101.6	148	165	
JIS	d1	22.4	26.45	32.56	38.63	48.73	56.82	58.63	89.66	114.27	140.22	165.16	216.68	267.21	318.66	
	d2	21.75	25.7	31.71	37.67	47.76	55.77	57.67	88.63	113.2	139.01	163.9	214.6	264.88	315.88	
	D	30	35.5	43.6	53	60	72.8	88	108	132	164	191	254	306	345	
	L	28.7	33.5	37	41.8	47	55	62	70.5	86	108.5	121.2	178	212	233	
	I	22.2	25.5	28.6	31.8	35	39	44.5	50.5	60	70	76.2	101.6	148	165	



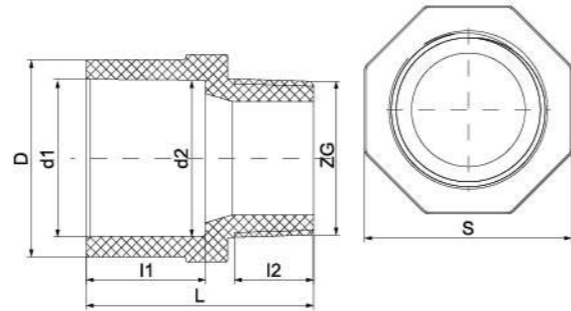
四通 Cross

NOM.	SIZE	dn20	dn25	dn32	dn40	dn50	dn63	dn75	dn90	dn110	dn140	dn160	dn225	dn280	dn315
		(DN15)	(DN20)	(DN25)	(DN32)	(DN40)	(DN50)	(DN65)	(DN80)	(DN100)	(DN125)	(DN150)	(DN200)	(DN250)	(DN300)
		(1/2")	(3/4")	(1")	(1-1/4")	(1-1/2")	(2")	(2-1/2")	(3")	(4")	(5")	(6")	(8")	(10")	(12")
DIN	d1	20.3	25.3	32.3	40.3	50.3	63.3	75.3	90.3	110.4	140.5	160.5	226.25	281.45	316.85
	d2	20.1	25.1	32.1	40.1	50.1	63.1	75.1	90.1	110.1	140.2	160.2	225.05	280.05	315.05
	D	27	33	40.8	51	61.5	76	88	104	126	160	184	253	306.8	345
	L	56	68	81.2	98	118	146	172	200	238	298	342	470	580	652
	l	16	19	22	26	31	38	44	51	61	76	86	118	146.5	164
ANSI	d1	21.51	26.87	33.62	42.4	48.54	60.65	73.39	89.31	114.81	141.81	168.81	219.8	273.81	324.61
	d2	21.25	26.6	33.3	42.06	48.18	60.27	72.9	88.8	114.21	141.11	168	218.8	272.67	323.47
	D	29.5	35.2	43.6	53.2	60	72.8	88	108	132	164	184	246	306.8	345
	L	70	82	96	112	124	144	172	204	245	298	342	440	580	652
	l	22.2	25.5	28.6	32.8	35	39	46	50.5	60	70	86	104	146.5	164
JIS	d1	22.4	26.45	32.56	38.63	48.73	56.82	58.63	89.66	114.27	140.22	165.16	216.68	267.21	318.66
	d2	21.75	25.7	31.71	37.67	47.76	55.77	57.67	88.63	113.2	139.01	163.9	214.6	264.88	315.88
	D	29.5	35.2	43.6	53.2	60	72.8	88	108	132	164	184	246	306.8	345
	L	70	82	96	112	124	144	172	204	245	298	342	440	580	652
	l	22.2	25.5	28.6	32.8	35	39	46	50.5	60	70	86	104	146.5	164

闷盖 Cap

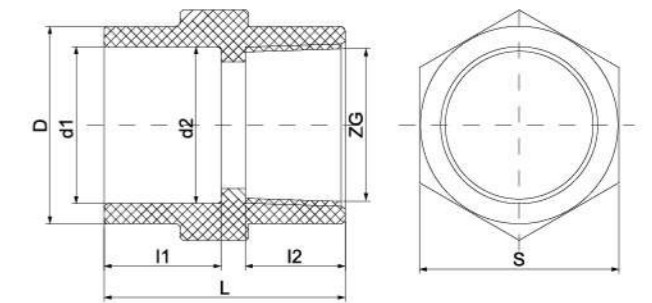
NOM.	SIZE	dn20	dn25	dn32	dn40	dn50	dn63	dn75	dn90	dn110	dn140	dn160	dn225	dn280	dn315
		(DN15)	(DN20)	(DN25)	(DN32)	(DN40)	(DN50)	(DN65)	(DN80)	(DN100)	(DN125)	(DN150)	(DN200)	(DN250)	(DN300)
		(1/2")	(3/4")	(1")	(1-1/4")	(1-1/2")	(2")	(2-1/2")	(3")	(4")	(5")	(6")	(8")	(10")	(12")
DIN	d1	20.3	25.3	32.3	40.3	50.3	63.3	75.3	90.3	110.4	140.5	160.5	226.25	281.45	316.85
	d2	20.1	25.1	32.1	40.1	50.1	63.1	75.1	90.1	110.1	140.2	160.2	225.05	280.05	315.05
	D	27	33	40	51	61	75	88	105	127	162	186	255	313	350
	L	24	31	35	42	43	51	57	65	80	96	111	147	180	198
	l	18	24	26	30	32	40	44	51	61	74	84	118	146	165
ANSI	d1	21.51	26.87	33.62	42.4	48.45	60.65	73.39	89.31	114.81	141.81	168.81	219.8	273.87	324.61
	d2	21.25	26.6	33.3	42.06	48.18	60.27	72.9	88.8	114.21	141.11	168	218.8	272.67	323.47
	D	29.5	35.2	43.6	53.2	60	72.8	88	108	132	164	191	246	306	360
	L	30	34.6	38	43	46.7	51.2	60	66.7	78	93	104	135	184.4	208
	l	22.2	25.5	28.6	32.8	36	39	46	50.5	60	70	79.5	104	128	153
JIS	d1	22.4	26.45	32.56	38.63	48.73	56.82	58.63	89.66	114.27	140.22	165.16	216.68	267.21	318.66
	d2	21.75	25.7	31.71	37.67	47.76	55.77	57.67	88.63	113.2	139.01	163.9	214.6	264.88	315.88
	D	29.5	35.2	43.6	53.2	60	72.8	88	108	132	164	191	246	306	360
	L	30	34.6	38	43	46.7	51.2	60	66.7	78	93	104	135	184.4	208
	l	22.2	25.5	28.6	32.8	36	39	46	50.5	60	70	79.5	104	128	153





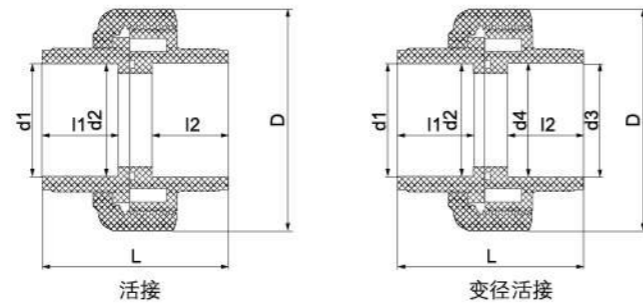
外螺纹接头 Male adapter

NOM.	SIZE	dn20	dn25	dn32	dn40	dn50	dn63	dn75	dn90	dn110
		(DN15)	(DN20)	(DN25)	(DN32)	(DN40)	(DN50)	(DN65)	(DN80)	(DN100)
		(1/2")	(3/4")	(1")	(1-1/4")	(1-1/2")	(2")	(2-1/2")	(3")	(4")
DIN	d1	20.3	25.3	32.3	40.3	50.3	63.3	75.3	90.3	110.4
	d2	20.1	25.1	32.1	40.1	50.1	63.1	75.1	90.1	110.1
	D	29	35	42	52	61	75	90	106	127
	L	45	51	56	62	70	75	80	90	108
	I1	20	22	24	28	31	38	44	51	61.5
	I2	19	20	23	24	27	28	29	31	38
	S	30	36	45	54	64	77	91	108	130
	ZG	1/2"	3/4"	1"	1-1/4"	1-1/2"	2"	2-1/2"	3"	4"
ANSI	d1	21.54	26.87	33.66	42.42	48.56	60.63	73.38	89.31	114.76
	d2	21.23	26.57	33.27	42.04	48.11	60.17	72.85	88.7	114.07
	D	29.55	35.3	43.66	50	59.85	72.25	88	105.45	132
	L	41.5	45.9	51.5	56.8	61.5	71	82	88.65	104.65
	I1	23.22	26.4	29.57	32.75	35.93	39.1	45.45	48.63	58.15
	NPT	1/2"	3/4"	1"	1-1/4"	1-1/2"	2"	2-1/2"	3"	4"
JIS	d1	22.4	26.45	32.56	38.63	48.73	56.82	58.63	89.66	114.27
	d2	21.75	25.7	31.71	37.67	47.76	55.77	57.67	88.63	113.2
	D	29.55	35.3	43.66	50	59.85	72.25	88	105.45	132
	L	41.5	45.9	51.5	56.8	61.5	71	82	88.65	104.65
	I1	23.22	26.4	29.57	32.75	35.93	39.1	45.45	48.63	58.15
	NPT	1/2"	3/4"	1"	1-1/4"	1-1/2"	2"	2-1/2"	3"	4"



内螺纹接头 Female adapter

NOM.	SIZE	dn20	dn25	dn32	dn40	dn50	dn63	dn75	dn90	dn110
		(DN15)	(DN20)	(DN25)	(DN32)	(DN40)	(DN50)	(DN65)	(DN80)	(DN100)
		(1/2")	(3/4")	(1")	(1-1/4")	(1-1/2")	(2")	(2-1/2")	(3")	(4")
DIN	d1	20.3	25.3	32.3	40.3	50.3	63.3	75.3	90.3	110.4
	d2	20.1	25.1	32.1	40.1	50.1	63.1	75.1	90.1	110.1
	D	29	35	42	52	61	75	90	106	127
	L	45	51	56	62	70	75	80	90	108
	I1	20	22	24	28	31	38	44	51	61.5
	I2	19	20	23	24	27	28	29	31	38
	S	30	36	45	54	64	77	91	108	130
	ZG	1/2"	3/4"	1"	1-1/4"	1-1/2"	2"	2-1/2"	3"	4"
ANSI	d1	21.54	26.87	33.66	42.42	48.56	60.63	73.38	89.31	114.76
	d2	21.23	26.57	33.27	42.04	48.11	60.17	72.85	88.7	114.07
	D	29.7	35.3	43.7	53.1	59.9	73.1	88	105.3	132
	L	40.22	44.4	49.6	55.25	58.45	66.6	77.5	83.65	99.7
	I1	23.22	26.4	29.57	32.75	35.93	39.1	45.45	48.63	58.15
	NPT	1/2"	3/4"	1"	1-1/4"	1-1/2"	2"	2-1/2"	3"	4"
JIS	d1	21.54	26.87	33.66	42.42	48.56	60.63	73.38	89.31	114.76
	d2	21.23	26.57	33.27	42.04	48.11	60.17	72.85	88.7	114.07
	D	29.7	35.3	43.7	53.1	59.9	73.1	88	105.3	132
	L	40.22	44.4	49.6	55.25	58.45	66.6	77.5	83.65	99.7
	I1	23.22	26.4	29.57	32.75	35.93	39.1	45.45	48.63	58.15
	NPT	1/2"	3/4"	1"	1-1/4"	1-1/2"	2"	2-1/2"	3"	4"

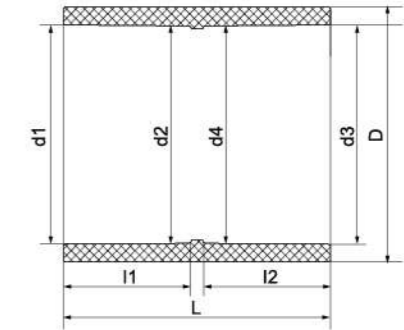


活接 Union

SIZE	dn20	dn25	dn32	dn40	dn50	dn63	dn75	dn90	dn110	
	(DN15)	(DN20)	(DN25)	(DN32)	(DN40)	(DN50)	(DN65)	(DN80)	(DN100)	
NOM.	(1/2")	(3/4")	(1")	(1-1/4")	(1-1/2")	(2")	(2-1/2")	(3")	(4")	
d1	DIN	20.3	25.3	32.3	40.3	50.3	63.3	75.3	90.3	110.4
	ANSI	21.51	26.87	33.62	42.4	48.54	60.65	73.39	89.31	114.81
	JIS	22.4	26.45	32.56	38.63	48.73	56.82	58.63	89.66	114.27
d2	DIN	20.1	25.1	32.1	40.1	50.1	63.1	75.1	90.1	110.1
	ANSI	21.25	26.6	33.3	42.06	48.18	60.27	72.9	88.8	114.21
	JIS	21.75	25.7	31.71	37.67	47.76	55.77	57.67	88.63	113.2
D	56	63	75	85	99	118	141	164	202	
L	54	65	71	80	89	98	105	121	146	
I1	22	22	24	28	31	38	44	51	61	
I2	22	22	24	28	31	38	43	51	61	

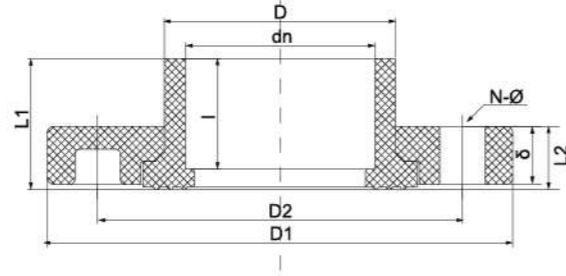
变径活接 Variable diameter joint

SIZE	dn20	dn25	dn32	dn40	dn50	dn63	dn75	dn90	dn110	
	(DN15)	(DN20)	(DN25)	(DN32)	(DN40)	(DN50)	(DN65)	(DN80)	(DN100)	
NOM.	(1/2")	(3/4")	(1")	(1-1/4")	(1-1/2")	(2")	(2-1/2")	(3")	(4")	
DIN x ANSI	d1	20.3	25.3	32.3	40.3	50.3	63.3	75.3	90.3	110.4
	d2	20.1	25.1	32.1	40.1	50.1	63.1	75.1	90.1	110.1
	d3	21.51	26.87	33.62	42.4	48.45	60.65	73.39	89.31	114.81
	d4	21.25	26.6	33.3	42.06	48.18	60.27	72.9	88.8	114.21
DIN x JIS	d1	20.3	25.3	32.3	40.3	50.3	63.3	75.3	90.3	110.4
	d2	20.1	25.1	32.1	40.1	50.1	63.1	75.1	90.1	110.1
	d3	22.4	26.45	32.56	38.63	48.73	56.82	58.63	89.66	114.27
	d4	21.75	25.7	31.71	37.67	47.76	55.77	57.67	88.63	113.2
ANSI x JIS	d1	21.51	26.87	33.62	42.4	48.45	60.65	73.39	89.31	114.81
	d2	21.25	26.6	33.3	42.06	48.18	60.27	72.9	88.8	114.21
	d3	22.4	26.45	32.56	38.63	48.73	56.82	58.63	89.66	114.27
	d4	21.75	25.7	31.71	37.67	47.76	55.77	57.67	88.63	113.2
D	56	63	75	85	99	118	127	144	168	
L	54	65	71	80	89	98	105	121	146	
I1	22	22	24	28	31	38	44	51	61	
I2	22	22	24	28	31	38	43	51	61	



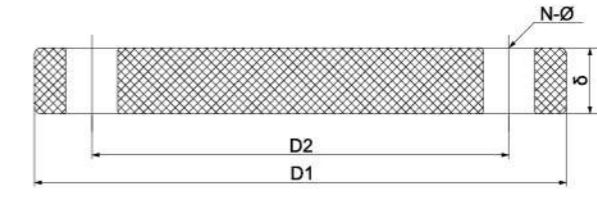
变径直通 Variable diameter straight through

SIZE	dn20	dn25	dn32	dn40	dn50	dn63	dn75	dn90	dn110	dn140	dn160	dn225	dn280	
	(DN15)	(DN20)	(DN25)	(DN32)	(DN40)	(DN50)	(DN65)	(DN80)	(DN100)	(DN125)	(DN150)	(DN200)	(DN250)	
NOM.	(1/2")	(3/4")	(1")	(1-1/4")	(1-1/2")	(2")	(2-1/2")	(3")	(4")	(5")	(6")	(8")	(10")	
DIN x ANSI	d1	20.3	25.3	32.3	40.3	50.3	63.3	75.3	90.3	110.4	140.5	160.5	226.25	281.45
	d2	20.1	25.1	32.1	40.1	50.1	63.1	75.1	90.1	110.1	140.2	160.2	225.05	280.05
	d3	21.51	26.87	33.62	42.4	48.45	60.65	73.39	89.31	114.81	141.81	168.81	219.8	273.81
	d4	21.25	26.6	33.3	42.06	48.18	60.27	72.9	88.8	114.21	141.11	168	218.8	272.67
DIN x JIS	d1	20.3	25.3	32.3	40.3	50.3	63.3	75.3	90.3	110.4	140.5	160.5	226.25	281.45
	d2	20.1	25.1	32.1	40.1	50.1	63.1	75.1	90.1	110.1	140.2	160.2	225.05	280.05
	d3	22.4	26.45	32.56	38.63	48.73	56.82	58.63	89.66	114.27	140.22	165.16	216.68	267.21
	d4	21.75	25.7	31.71	37.67	47.76	55.77	57.67	88.63	113.2	139.01	163.9	214.6	264.88
ANSI x JIS	d1	21.51	26.87	33.62	42.4	48.45	60.65	73.39	89.31	114.81	141.81	168.81	219.8	273.81
	d2	21.25	26.6	33.3	42.06	48.18	60.27	72.9	88.8	114.21	141.11	168	218.8	272.67
	d3	22.4	26.45	32.56	38.63	48.73	56.82	58.63	89.66	114.27	140.22	165.16	216.68	267.21
	d4	21.75	25.7	31.71	37.67	47.76	55.77	57.67	88.63	113.2	139.01	163.9	214.6	264.88
D	29.5	35.2	43.6	53.2	60	72.8	88	108	132	164	191	246	306	
L	48.5	55	61.2	69.6	77	83	97	108	130	160	168	218	266	
I1	22.2	25.5	28.6	32.8	36	39	46	50.5	60	70	79.5	104	128	
I2	22.2	25.5	28.6	32.8	36	39	46	50.5	60	70	79.5	104	128	



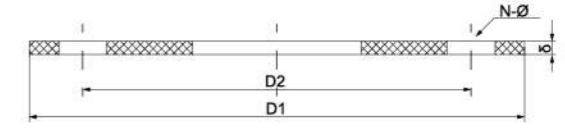
**活套法兰 Looper flange**

SIZE	dn20	dn25	dn32	dn40	dn50	dn63	dn75	dn90	dn110	dn140	dn160	dn225	dn280	dn315	
	(DN15)	(DN20)	(DN25)	(DN32)	(DN40)	(DN50)	(DN65)	(DN80)	(DN100)	(DN125)	(DN150)	(DN200)	(DN250)	(DN300)	
NOM.	(1/2")	(3/4")	(1")	(1-1/4")	(1-1/2")	(2")	(2-1/2")	(3")	(4")	(5")	(6")	(8")	(10")	(12")	
DIN	d1	20.3	25.3	32.3	40.3	50.3	63.3	75.3	90.3	110.4	140.5	160.5	226.25	281.45	316.85
	d2	20.1	25.1	32.1	40.1	50.1	63.1	75.1	90.1	110.1	140.2	160.2	225.05	280.05	315.05
	D	27	32	41	50	62	77	92	107	127	160	182	255	309	344
	D1	95	105	115	140	150	165	185	200	220	250	285	340	395	445
	D2	65	75	85	100	110	125	145	160	180	210	240	295	350	400
	L1	25	28	32	34	39	45	52	60	69	86	96	132	164	184
	L2	14	15	19	19	20	23	25	29	29	31	31	40	47	47
	6	12.5	14	16	16.5	18	20	23	26	28	30	30	35	41	43
	I	18	23	25	28	31	38	44	51	61	76	86	119	146	165
	N-Ø	4-Ø14	4-Ø14	4-Ø14	4-Ø18	4-Ø18	4-Ø18	4-Ø18	8-Ø18	8-Ø18	8-Ø18	8-Ø22	8-Ø22	12-Ø22	12-Ø22
ANSI	d1	21.51	26.87	33.62	42.6	48.54	60.65	73.39	89.31	114.8	141.81	168.81	219.8	273.81	324.61
	d2	21.25	26.6	33.3	42.06	48.18	60.27	72.9	88.8	114.2	141.11	168	218.8	272.67	323.47
	D	29	35	44	54	60.2	74	89.4	105.7	127	160	190.8	246	306	360
	D1	89	98	108	117	128	155	178	192	229	254	284	343	406	481
	D2	61	70	79	89	98	121	140	152	191	216	241	298	362	432
	L1	23	31	33	37	40	44	52	62	71	84	90	117	137	165
	L2	11	16	17	17	20	21	27	28.5	31	34.5	36.5	40	46	46
	6	14	15	16	16	18.5	19.5	23.5	24.6	27	31	33	33	42	42
	I	22.2	25.5	31	35	37	40.5	46	50.5	60	70	79	104	128	153
	N-Ø	4-Ø16	4-Ø16	4-Ø16	4-Ø16	4-Ø16	4-Ø19	4-Ø19	4-Ø19	4-Ø19	8-Ø22	8-Ø22	8-Ø22	12-Ø24	12-Ø24
JIS	d1	22.4	26.45	32.56	38.63	48.73	56.82	58.63	89.66	114.27	140.22	165.16	216.68	267.21	318.66
	d2	21.75	25.7	31.71	37.67	47.76	55.77	57.67	88.63	113.2	139.01	163.9	214.6	264.88	315.88
	D	95	100	125	135	140	155	175	185	210	250	280	330	400	445
	D1	70	75	90	100	105	120	140	150	175	210	240	290	355	400
	D2	31	35	42.5	48.5	61	73	90	105	132	158	186	238	289	341
	L1	35	40	46	50.5	61.5	71	70	73	93	114	142	161	167	167
	L2	14	15	15	16	16	20	22	22	22	24	26	28	30	30
	6	14	15	15	16	16	20	22	22	22	24	26	28	30	30
	I	30	35	40	44	55	63	61	64	84	104	132	145	155	155
	N-Ø	4-Ø15	4-Ø15	4-Ø19	4-Ø19	4-Ø19	4-Ø19	4-Ø19	8-Ø19	8-Ø19	8-Ø23	8-Ø23	12-Ø23	12-Ø25	16-Ø25



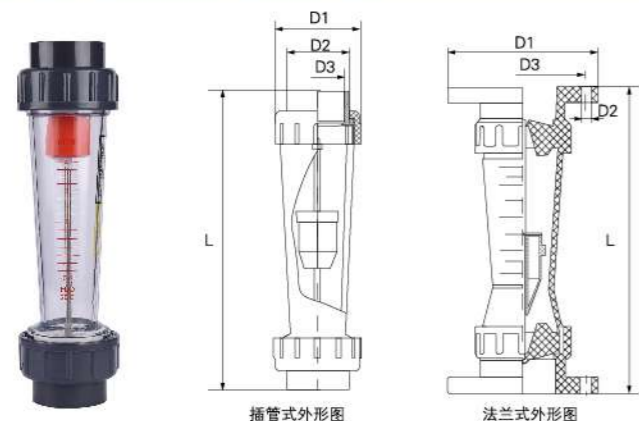
**盲法兰 Blind flange**

SIZE	dn20	dn25	dn32	dn40	dn50	dn63	dn75	dn90	dn110	dn140	dn160	dn225	dn280	
	(DN15)	(DN20)	(DN25)	(DN32)	(DN40)	(DN50)	(DN65)	(DN80)	(DN100)	(DN125)	(DN150)	(DN200)	(DN250)	
NOM.	(1/2")	(3/4")	(1")	(1-1/4")	(1-1/2")	(2")	(2-1/2")	(3")	(4")	(5")	(6")	(8")	(10")	
DIN	D1	95	105	115	140	150	165	185	200	220	249	284	339	392
	D2	65	75	85	100	110	125	145	160	180	210	240	295	350
	6	12.7	14	15.8	16.5	20	20	23	26	28	30	31	35	35
	N-Ø	4-Ø14	4-Ø14	4-Ø14	4-Ø18	4-Ø18	4-Ø18	4-Ø18	8-Ø18	8-Ø18	8-Ø18	8-Ø22	8-Ø22	12-Ø22
ANSI	D1	89	98	108	117	128	155	178	192	229	254	284	343	406
	D2	61	70	79	89	98	121	140	152	191	216	241	298	362
	6	12	14	14	16	16	16	18	18	20	20	22	24	26
	N-Ø	4-Ø16	4-Ø16	4-Ø16	4-Ø16	4-Ø16	4-Ø19	4-Ø19	4-Ø19	4-Ø19	8-Ø22	8-Ø22	8-Ø22	12-Ø24
JIS	D1	70	75	90	100	105	120	140	150	175	210	240	290	355
	D2	31	35	42.5	48.5	61	73	90	105	132	158	186	238	289
	6	12	14	14	16	16	16	18	18	20	20	22	24	26
	N-Ø	4-Ø15	4-Ø15	4-Ø19	4-Ø19	4-Ø19	4-Ø19	4-Ø19	8-Ø19	8-Ø19	8-Ø23	8-Ø23	12-Ø23	12-Ø25



**法兰垫片 Flange gasket**

SIZE	dn20	dn25	dn32	dn40	dn50	dn63	dn75	dn90	dn110	dn140	dn160	dn225	dn280	dn315	
	(DN15)	(DN20)	(DN25)	(DN32)	(DN40)	(DN50)	(DN65)	(DN80)	(DN100)	(DN125)	(DN150)	(DN200)	(DN250)	(DN300)	
NOM.	(1/2")	(3/4")	(1")	(1-1/4")	(1-1/2")	(2")	(2-1/2")	(3")	(4")	(5")	(6")	(8")	(10")	(12")	
DIN	D1	95	105	115	140	150	165	185	200	220	250	285	340	395	445
	D2	65	75	85	100	110	125	145	160	180	210	240	295	350	400
	6	3	3	3	3	3	3	3	3	3	3	3	3	3	3
	N-Ø	4-Ø14	4-Ø14	4-Ø14	4-Ø18	4-Ø18	4-Ø18	4-Ø18	8-Ø18	8-Ø18	8-Ø18	8-Ø22	8-Ø22	12-Ø24	12-Ø24
ANSI	D1	89	98	108	117	128	155	178	192	229	254	284	343	406	481
	D2	61	70	79	89	98	121	140	152	191	216	241	298	362	432
	6	3	3	3	3	3	3	3	3	3	3	3	3	3	3
	N-Ø	4-Ø16	4-Ø16	4-Ø16	4-Ø16	4-Ø16	4-Ø19	4-Ø19	4-Ø19	4-Ø19	8-Ø22	8-Ø22	8-Ø22	12-Ø24	12-Ø24
JIS	D1	70	75	90	100	105	120	140	150	175	210	240	290	355	400
	D2	31	35	42.5	48.5	61	73	90	105	132	158	186	238	289	341
	6	3	3	3	3	3	3	3	3	3	3	3	3	3	3
	N-Ø	4-Ø15	4-Ø15	4-Ø19	4-Ø19	4-Ø19	4-Ø19	4-Ø19	8-Ø19	8-Ø19	8-Ø23	8-Ø23	12-Ø23	12-Ø25	16-Ø25



流量计 Flowmeter

公称外径 dn	公称通径 DN	型号	插管连接尺寸							
			长管型				短管型			
			L	D1	D2	D3	L	D1	D2	D3
20	15	LZS-15	280	45	26	20	200	44	26	20
25	20	LZS-20	324	51	31	25	234	59	31	25
32	25	LZS-25	380	68	39	32	234	60	39	32
40	32	LZS-32	375	74	50	40	288	74	50	40
50	40	LZS-40	415	88	63	50	380	87	63	50
63	50	LZS-50	435	98	73	63	348	98	73	63
75	65	LZS-65	-	-	-	-	430	124	88	75
90	80	LZS-80	-	-	-	-	505	142	106	90
110*	100*	LZS-100	-	-	-	-	550	215	Φ18X8	180
140*	125*	LZS-125	-	-	-	-	550	248	Φ18X8	210
160*	150*	LZS-150	-	-	-	-	550	280	Φ18X8	240

注：\*为法兰式。



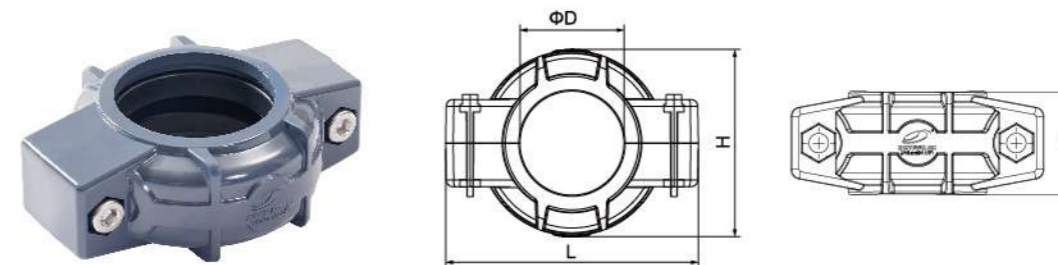
管托 Pipe support

公称外径 dn	公称通径 DN	R	H	D	δ	∅
20	15	20	30	26	16	5
25	20	25	37	28	16	5
32	25	32	42	37	16	5
40	32	40	45	46	16	5
50	40	50	50	56	16	5
63	50	63	57	70	16	5
75	65	75	64	75	16	5
90	80	90	73	101	16	5
110	100	110	83	114	18	5



拷贝林接头 Coupling joint

公称尺寸Φ	ΦD1	ΦD2	ΦD3	I	L
dn25 × 1"	33	25	32	19	56
dn32 × 1"	33	32	40	22	56
dn40 × 1-1/4"	42	40	50	26	59
dn40 × 1-1/2"	48	40	50	26	60
dn50 × 1-1/2"	48	50	63	31	66
dn50 × 2"	60	50	63	31	64
dn63 × 2"	60	63	75	38	76
dn63 × 2-1/2"	73	63	75	38	79
dn75 × 2-1/2"	73	75	90	44	79
dn90 × 3"	89	90	104	51	85
dn110 × 4"	114	110	125	61	96



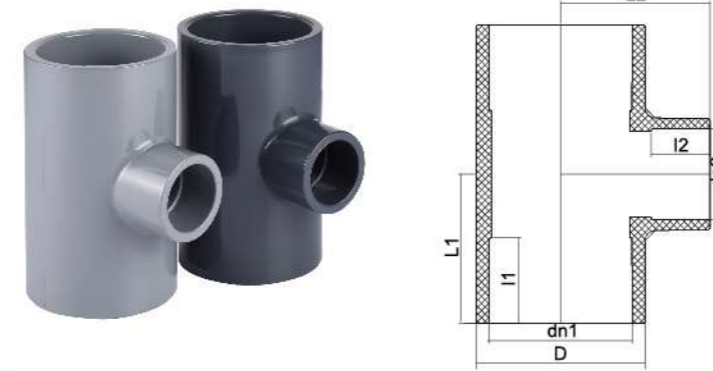
拷贝林卡箍 (卡套) Copying forest clamps (clamps)

公称尺寸Φ	ΦD	L	H	T
dn32 ( 1" )	30	92	62	44
dn40(1-1/4" )	39	106	73	45
dn50(1-1/2" )	45	110	82	45
dn63(2" )	57	125.5	95	43.5
dn75(2-1/2" )	69	139	112	45.5
dn90(3" )	86	174	127	46
dn110(4" )	110	204	155	54



马鞍接头 Saddle joint

公称尺寸Φ	ΦD	ΦD1	ΦD2	R	H	I
Φ75×32	40	30	60	37.5	26	22
Φ90×32	40	30	65	45	26	22
Φ110×32	40	30	65	55	26	22
Φ140×32	40	30	70	70	26	22
Φ140×50	60	55	100	70	36	31
Φ140×63	75	60	100	70	40	38
Φ160×32	40	30	70	80	26	22
Φ160×50	60	60	100	80	36	31
Φ160×63	75	60	120	80	40	38
Φ160×90	105	90	150	80	56	51
Φ200×90	104	90	152	100	56	51
Φ225×32	40	30	60	112.5	26	22
Φ225×50	60	55	100	112.5	36	31
Φ225×63	75	60	120	112.5	42	38
Φ225×75	88	70	120	112.5	50	44
Φ225×90	105	90	155	112.5	56	51
Φ250×32	40	30	70	125	26	22
Φ250×63	75	60	120	125	42	38
Φ280×32	40	30	70	140	26	22
Φ280×50	60	55	100	140	36	31
Φ280×63	75	60	120	140	42	38
Φ280×75	88	70	120	140	50	44
Φ315×32	40	30	70	157.5	26	22
Φ315×50	60	55	100	157.5	36	31
Φ315×63	75	60	120	157.5	42	38
Φ315×75	88	70	118	157.5	50	44
Φ355×63	75	60	120	177.5	42	38

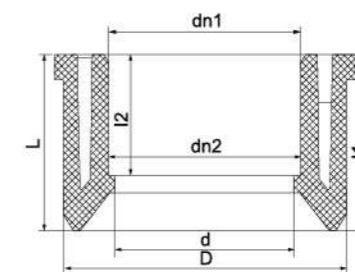
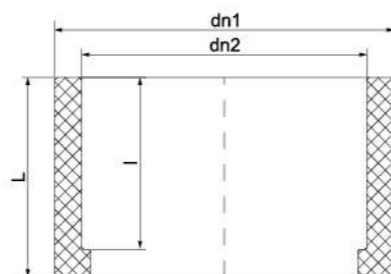


异径三通 Reducing tee

公称外径 dn1×dn2	公称通径 DN	D	L1	L2	I1	I2
25×20	20×15	32.2	31	31	18.75	16
32×20	25×15	41.2	36	35.4	23.5	17
32×25	25×20	40.6	36	36	22	18.5
40×20	32×15	50	43	40	27	17
40×25	32×20	50	45	42	27	18
50×25	40×20	60.6	51.5	47	32	19
50×32	40×25	61	51	50.4	31	22
63×25	50×20	75	62.5	62.5	38	19
63×32	50×25	75	62.5	62.5	38	22
63×40	50×32	75	62.5	62.5	38	26
63×50	50×40	75	66	66	38	31
75×32	65×25	91	73.5	63.5	44	22
75×40	65×32	91	73.5	67	44	27
75×50	65×40	91	73.5	73	44	31
75×63	65×50	88	79	79	44	38
90×25	80×20	106	77	70	51	19
90×32	80×25	104	77	74	51	22
90×40	80×32	106	77	77	51	27
90×50	80×40	104	92	83	51	31
90×63	80×50	104	87	92.4	51	44
90×75	80×65	104	92	95	57	44
110×32	100×25	126	105	80	61	22
110×63	100×50	126.8	106	99	61	38
110×75	100×65	126	105	104	61	44
140×63	125×50	165	130.5	115	76	38.5
140×90	125×80	165	130.5	128.5	76	52
160×63	150×50	185	128	125	86	38
160×75	150×65	185	128	132	86	44
160×90	150×80	185	149	139.5	86	51
160×110	150×100	185	149	149	86	61
225×63	200×50	254	172	160	119	38
225×75	200×65	254	172	165	119	44
225×90	200×80	254	172	170	119	51
225×110	200×100	254	182	180	119	61
225×140	200×125	254	205	195	119	76
225×160	200×150	254	205	205	119	86
280×110	250×100	314.5	268	208	146	61
280×140	250×125	314.5	268	223	146	61
280×160	250×150	314.5	268	235	146	61
280×225	250×200	314.5	268	267	146	61
315×160	300×150	345	250	249	165	86
315×225	300×200	344	295	279	168	120
400×315	400×300	433	376	343	207	165
500×315	500×300	536	390	417	230	164

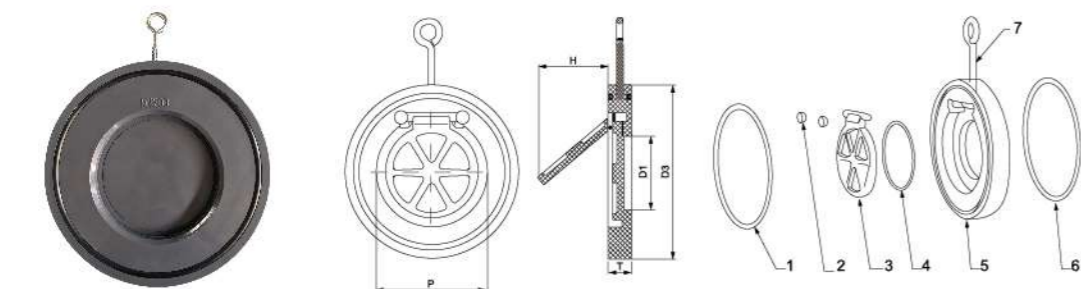
缩接 Reducer bushing

公称外径 dn1×dn2	公称通径 DN	L	l
25×20	20×15	19	16
32×25	25×20	22	19
40×32	32×25	26	22
50×40	40×32	31	26
63×32	50×25	38	22
63×50	50×40	38	31
75×63	65×50	44	38
90×75	80×65	51	44
110×63	100×50	61	38
110×90	100×80	61	51
140×110	125×100	76	60
160×110	150×100	86	61
160×140	150×125	86	76
225×110	200×100	119	61
225×160	200×150	119	86
280×225	250×200	146	119
315×225	300×200	166	119
315×280	300×250	166	146
355×315	350×300	183	164
400×315	400×300	206	170
400×355	400×350	206	185



缩接ANSI SCH80 Reducer bushing ANSI SCH80

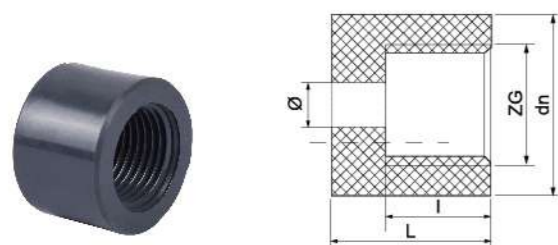
Size	D	l1	dn1	dn2	l2	d	δ	L
3/4" x 1/2"	26.68	25.50	21.56	21.25	22.22	17.90	5.50	31.00
1" x 3/4"	33.42	29.00	26.90	26.60	25.40	23.00	6.00	35.00
1" x 1/2"	33.42	29.00	21.56	21.25	22.22	17.90	6.00	35.00
1 1/4" x 1"	42.18	32.00	33.68	33.30	28.58	30.00	6.00	38.00
1 1/4" x 3/4"	42.18	35.00	26.90	26.60	25.40	23.00	3.00	38.00
1 1/4" x 1/2"	42.18	32.00	21.56	21.25	22.22	17.90	6.00	38.00
1 1/2" x 1 1/4"	48.28	35.00	42.46	42.08	31.75	38.00	6.00	41.00
1 1/2" x 1"	48.28	35.00	33.68	33.30	28.58	30.00	6.00	41.00
1 1/2" x 3/4"	48.28	35.00	26.90	26.60	25.40	23.00	6.00	41.00
1 1/2" x 1/2"	48.28	35.00	21.56	21.25	22.22	17.90	6.00	41.00
2" x 1 1/2"	60.35	38.00	48.61	48.16	34.93	44.00	6.00	44.00
2" x 1 1/4"	60.35	38.00	42.46	42.08	31.75	38.00	6.00	44.00
2" x 1"	60.35	38.00	33.68	33.30	28.58	30.00	6.00	44.00
2 1/2" x 2"	73.07	45.00	60.69	60.23	38.10	56.60	6.00	51.00
2 1/2" x 1 1/2"	73.07	45.00	48.61	48.16	34.93	44.00	6.00	51.00
3" x 2 1/2"	88.98	48.00	73.45	72.92	44.45	68.00	8.00	56.00
3" x 2"	88.98	48.00	60.69	60.23	38.10	56.60	8.00	56.00
3" x 1 1/2"	88.98	48.00	48.61	48.16	34.93	44.00	8.00	56.00
4" x 3"	114.40	57.00	89.40	88.79	47.63	83.00	8.00	65.00
4" x 2 1/2"	114.40	57.00	73.45	72.92	44.45	68.00	8.00	65.00
4" x 2"	114.40	57.00	60.69	60.23	38.10	56.60	8.00	65.00
5" x 4"	141.37	67.00	114.87	114.21	57.65	107.8	10	77
6" x 5"	168.41	76.00	141.95	141.14	67.18	134	12	88
6" x 4"	168.41	76.00	114.87	114.21	57.65	107.8	12	88
8" x 6"	219.23	102.00	169	168.17	76.7	161.2	12	114
8" x 4"	219.23	102.00	114.87	114.21	57.65	107.8	12	114



单片对夹式止回阀H74X-10S  
Single piece wafer check valve

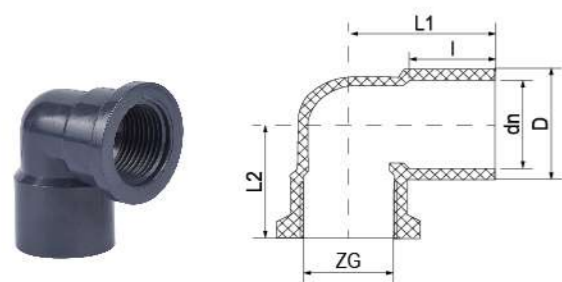
公称外径 dn	公称通径 DN	D1	D3	T	P	H
50	40	23	82	18	36	25
53	50	27	108	21	44	46
75	65	40	127	22	58	51
90	80	54	142	23	70	74
110	100	70	165	25	89	91
140	125	92	192	28	115	96
160	150	112	217	30	131	147
225	200	150	270	34	185	191
280	250	190	328	39	230	299
315	300	216	378	44	260	259

序号 Serial Number	序号 Name	材质 Material	序号 Number
1	O型密封圈	EPDM	1
2	压紧	CPVC	2
3	活板	CPVC	1
4	O型密封圈	EPDM	1
5	阀体	CPVC	1
6	O型密封圈	EPDM	1
7	吊环	45#	1



仪表接头 Meter joint (Spitg.xFig)

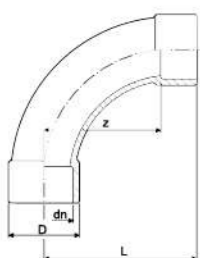
公称外径 dn	公称通径 DN	Ø	L	螺纹型号 Thread model		
20	15	8	17	ZG 1/4"	G 1/4"	NPT 1/4"
25	20	8	20	ZG 3/8"	G 3/8"	M14*1.5
32	25	8	23	ZG 1/2"	ZG 3/4"	M20*1.5



内丝弯头 Faucet elbow

公称外径 dn	公称通径 DN	D	I	L1	L2	ZG
20	15	26.5	20.5	32.5	31.5	1/2"
25	20	32	26	40.5	36.5	3/4"
32	25	40	29	49.5	40.5	1"

90° 弧形弯头 90° Curved elbow



公称外径 dn	公称通径 DN	z (mm)	D (mm)	L (mm)
20	15	40	27	56
25	20	50	33	69
32	25	64	38	86
40	32	80	47	106
50	40	100	61	131
63	50	126	76	164
* 75	65	-	-	-
* 90	80	-	-	-
* 110	100	-	-	-

注: \*为手工件。

软管接头  
CPVC、UPVC Gladhand



Y型支架  
Y bracket



焊条  
Welding rod



取样阀 Labcock ball valve



SK型静态混合器 SK type static mixer

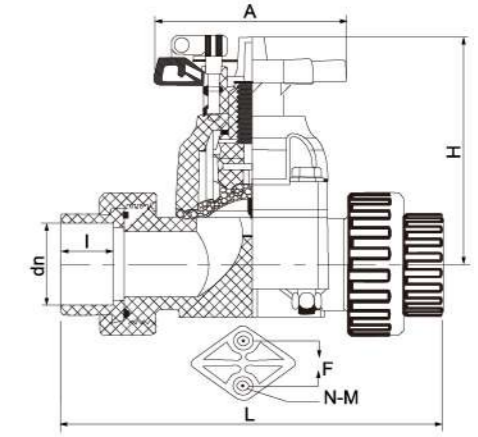
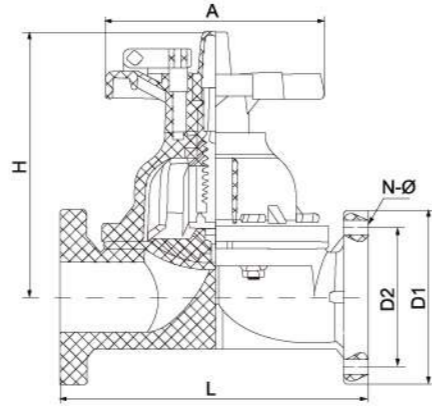


篮式过滤器 Basket filter



Y型过滤器 UPVC Y type filter





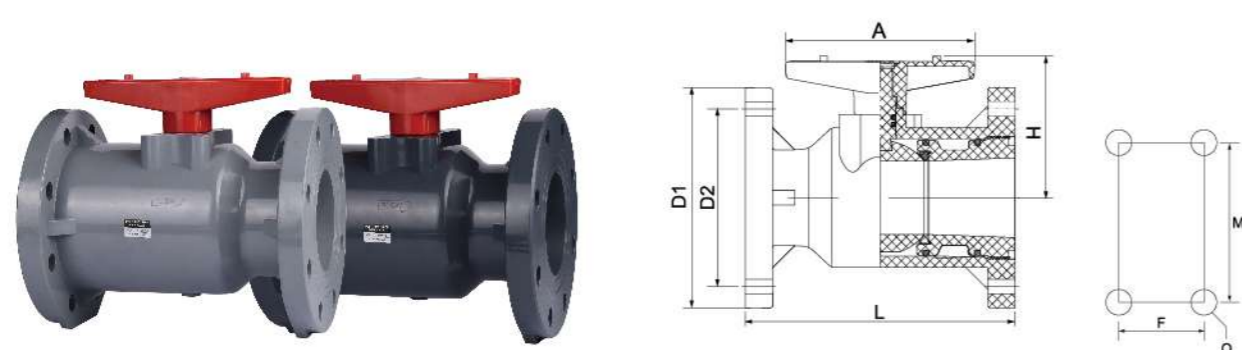
法兰式隔膜阀 Flang diaphragm valve

NOM.	SIZE	dn32	dn40	dn50	dn63	dn75	dn90	dn110	dn140
		(DN25)	(DN32)	(DN40)	(DN50)	(DN65)	(DN80)	(DN100)	(DN125)
		(1")	(1-1/4")	(1-1/2")	(2")	(2-1/2")	(3")	(4")	(5")
D1	DIN	115	140	150	165	185	200	220	254
	ANSI	108	117	128	155	178	192	229	254
	JIS	90	100	105	120	140	150	175	210
D2	DIN	85	100	110	125	145	160	180	210
	ANSI	79	89	98	121	140	152	191	216
	JIS	42.5	48.5	61	73	90	105	132	158
N-Φ	DIN	4-Φ14	4-Φ18	4-Φ18	4-Φ18	4-Φ18	8-Φ18	8-Φ18	8-Φ18
	ANSI	4-Φ16	4-Φ16	4-Φ16	4-Φ19	4-Φ19	4-Φ19	4-Φ19	8-Φ22
	JIS	4-Φ19	4-Φ19	4-Φ19	4-Φ19	4-Φ19	8-Φ19	8-Φ19	8-Φ23
L		145	160	180	210	250	300	350	400
A		87	100	117	137	178	214	265	265
H		115	132	148	175	235	305	350	356

活结式隔膜阀 Union diaphragm valve

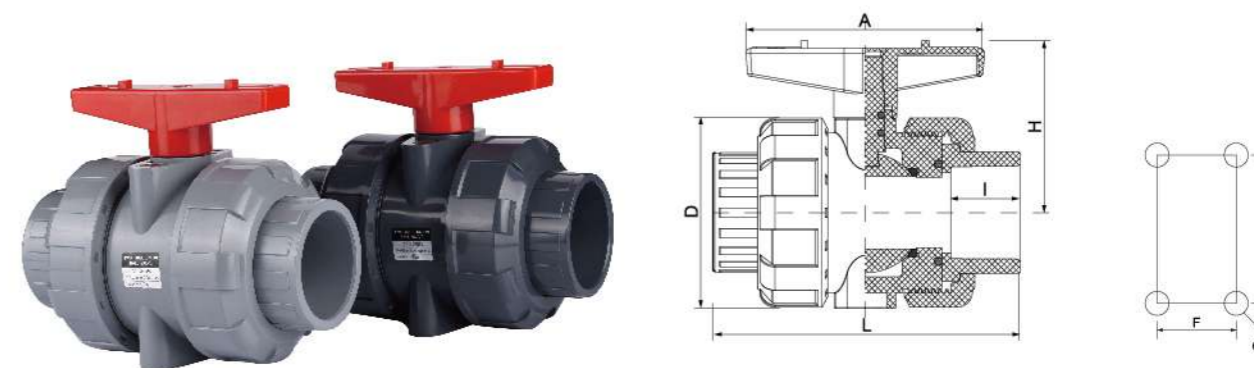
NOM.	SIZE	dn20	dn25	dn32	dn40	dn50	dn63
		(DN15)	(DN20)	(DN25)	(DN32)	(DN40)	(DN50)
		(1/2")	(3/4")	(1")	(1-1/4")	(1-1/2")	(2")
d1	DIN	20.3	25.3	32.3	40.3	50.3	63.3
	ANSI	21.51	26.87	33.62	42.4	48.45	60.65
	JIS	22.4	26.45	32.56	38.63	48.73	56.82
d2	DIN	20.1	25.1	32.1	40.1	50.1	63.1
	ANSI	21.25	26.6	33.3	42.06	48.18	60.27
	JIS	21.75	25.7	31.71	37.67	47.76	55.77
L		142	162	175	196	227	272
H		90	95	105	125	145	172
A		77	77	87	100	117	137
I		22	22	22	26	32	39
N-M		2-M6	2-M6	2-M6	2-M8	2-M8	2-M8
F		25	25	25	36	36	45





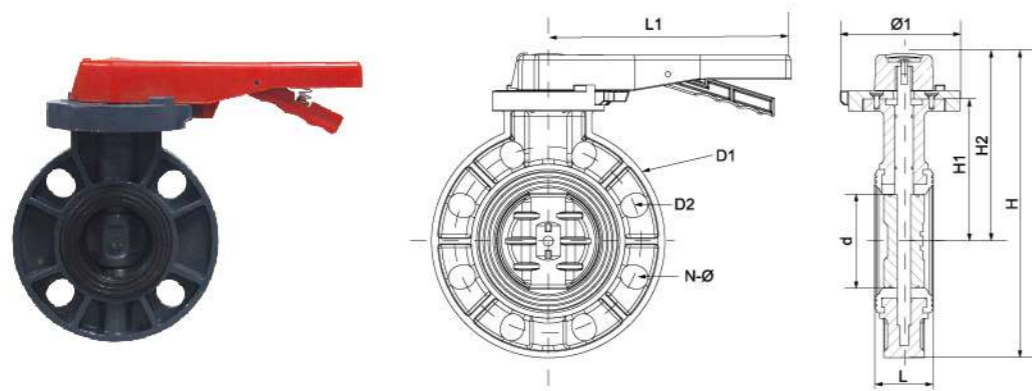
一体法兰式球阀 One-piece flange ball valve

NOM.	SIZE	dn20	dn25	dn32	dn40	dn50	dn63	dn75	dn90	dn110	dn140	dn160
		(DN15)	(DN20)	(DN25)	(DN32)	(DN40)	(DN50)	(DN65)	(DN80)	(DN100)	(DN125)	(DN150)
		(1/2")	(3/4")	(1")	(1-1/4")	(1-1/2")	(2")	(2-1/2")	(3")	(4")	(5")	(6")
D1	DIN	105	105	115	140	145	165	180	195	220	250	285
	ANSI	89	98	108	117	128	155	178	192	229	254	284
	JIS	70	75	90	100	105	120	140	150	175	210	240
D2	DIN	65	75	85	100	110	125	145	160	180	210	240
	ANSI	61	70	79	89	98	121	140	152	191	216	241
	JIS	31	35	42.5	48.5	61	73	90	105	132	158	186
N-Φ	DIN	4-Φ14	4-Φ14	4-Φ14	4-Φ18	4-Φ18	4-Φ18	4-Φ18	8-Φ18	8-Φ18	8-Φ18	8-Φ18
	ANSI	4-Φ16	4-Φ16	4-Φ16	4-Φ16	4-Φ16	4-Φ19	4-Φ19	4-Φ19	4-Φ19	8-Φ22	8-Φ22
	JIS	4-Φ15	4-Φ15	4-Φ19	4-Φ19	4-Φ19	4-Φ19	4-Φ19	8-Φ19	8-Φ19	8-Φ23	8-Φ23
L	120	120	150	160	167	178	220	250	282	360	405	
A	85	90	105	115	125	137	155	176	206	345	345	
H	58.2	58.2	65	85	88	98	111	128	139	195	208	
F	—	—	—	—	—	—	45	45	49	49	49	
M	33	33	40	52	52	70	84	84	121	121	121	
Q	2×M6	2×M6	2×M6	2×M8	2×M8	2×M8	4×M10	4×M10	4×M10	4×M10	4×M10	



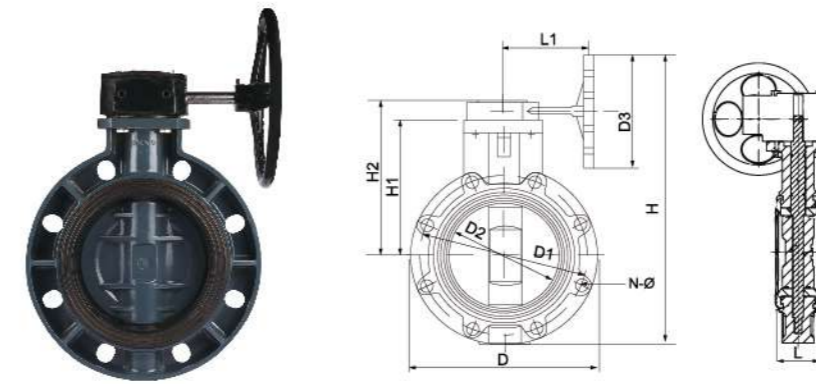
II 型球阀 Type II ball valve

NOM.	SIZE	dn20	dn25	dn32	dn40	dn50	dn63	dn75	dn90	dn110
		(DN15)	(DN20)	(DN25)	(DN32)	(DN40)	(DN50)	(DN65)	(DN80)	(DN100)
		(1/2")	(3/4")	(1")	(1-1/4")	(1-1/2")	(2")	(2-1/2")	(3")	(4")
d1	DIN	20.3	25.3	32.3	40.3	50.3	63.3	75.3	90.3	110.4
	ANSI	21.51	26.87	33.62	42.4	48.54	60.65	73.39	89.31	114.81
	JIS	22.4	26.45	32.56	38.63	48.73	56.82	58.63	89.66	114.27
d2	DIN	20.1	25.1	32.1	40.1	50.1	63.1	75.1	90.1	110.1
	ANSI	21.25	26.6	33.3	42.06	48.18	60.27	72.9	88.8	114.21
	JIS	21.75	25.7	31.71	37.67	47.76	55.77	57.67	88.63	113.2
I	22	22	24	28	31	38	44	51	61	
A	85	90	105	115	125	137	155	176	206	
D	56	63	75	85	99	118	141	164	202	
H	49	55	65	75	86	100	120	138	160	
L	105	116	132	149	165	190	235	270	320	
M	31	33	40	52	52	70	84	84	121	
F	—	—	—	—	—	—	45	45	49	
Q	2×M6	2×M6	2×M6	2×M8	2×M8	2×M8	4×M10	4×M10	4×M10	



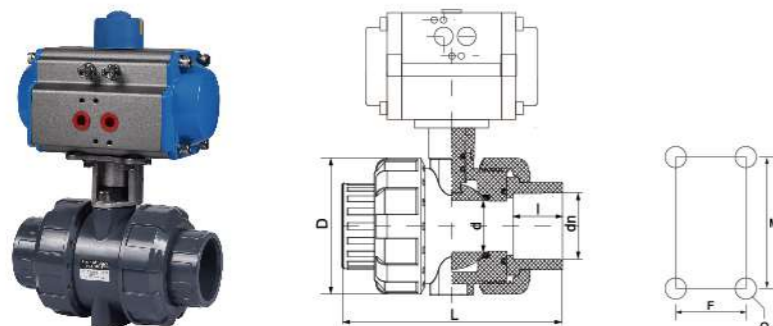
手柄式蝶阀 Handle butterfly valve

SIZE		dn63	dn75	dn90	dn110	dn140	dn160	dn225
		(DN50)	(DN65)	(DN80)	(DN100)	(DN125)	(DN150)	(DN200)
		(2")	(2-1/2")	(3")	(4")	(5")	(6")	(8")
D1	DIN	160	180	196	228	258	287	344
	ANSI	155	178	192	229	254	284	343
	JIS	120	140	150	175	210	240	290
D2	DIN	125	145	160	180	210	240	295
	ANSI	121	140	152	191	216	241	298
	JIS	73	90	105	132	158	186	238
N-Ø	DIN	4-Ø19	4-Ø19	8-Ø19	8-Ø19	8-Ø19	8-Ø23	8-Ø23
	ANSI	4-Ø19	4-Ø19	4-Ø19	4-Ø19	8-Ø22	8-Ø22	8-Ø22
	JIS	4-Ø19	4-Ø19	8-Ø19	8-Ø19	8-Ø23	8-Ø23	12-Ø23
d	48	63	78	98	122	146	199	
Ø1	124	124	124	124	170	170	170	
H	223	245	270	308	352	382	452	
H1	100	112	120	140	168	181	215	
H2	143	155	172	194	223	239	280	
L	43	46	49	54	64	70	88	
L1	190	190	240	240	310	310	310	



涡轮式蝶阀 Gear butterfly valve

SIZE		dn160	dn225	dn280	dn315	dn335	dn400
		(DN150)	(DN200)	(DN250)	(DN300)	(DN350)	(DN400)
		(6")	(8")	(10")	(12")	(14")	(16")
D	DIN	288	344	412	487	512	598
	ANSI	284	343	406	481	535	595
	JIS	240	290	355	400	480	540
D1	DIN	240	295	350	400	460	515
	ANSI	241	298	362	432	476	540
	JIS	186	238	289	341	435	495
N-Ø	DIN	8-Ø23	8-Ø23	12-Ø23	12-Ø23	16-Ø25	16-Ø27
	ANSI	8-Ø22	8-Ø22	12-Ø24	12-Ø24	12-Ø29	16-Ø29
	JIS	8-Ø23	12-Ø23	12-Ø25	16-Ø25	16-Ø25	16-Ø25
D2	146	199	246	296	328	382	
D3	260	260	280	280	280	380	
H	489	552	646	710	748	895	
H1	180	215	260	285	310	350	
H2	250	285	340	365	390	460	
L	70	88	98	108	125	140	
L1	200	200	220	220	220	280	



### 气动球阀 Pneumatic ball valve

#### 描述 Describe

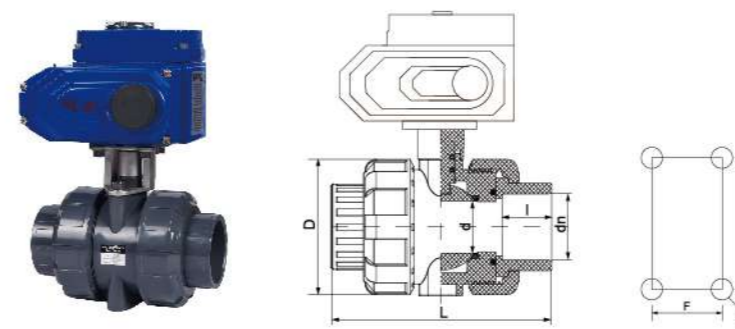
- |   |   |
|---|---|
| (1) 材质: UPVC、CPVC                             | (1) Material: UPVC, CPVC  |
| (2) 尺寸: 1/2"-4", DN15-DN100, dn20-dn110       | (2) Dimensions: 1/2"-4", DN15-DN100, DN20-DN110                       |
| (3) 标准: ANSI, DIN                             | (3) Standards: ANSI, DIN  |
| (4) 连接: 插口                                    | (4) Connection: Socket  |
| (5) 工作压力: 150PSI、1.0MPa                       | (5) Work pressure: 150PSI, 1.0MPa                                     |
| (6) 操作温度: UPVC (-10°C-60°C)、CPVC (-10°C-90°C) | (6) Operating temperature: UPVC (-10 °C -60 °C), CPVC (-10 °C -90 °C) |
| (7) 最小气压: 45PSI、0.4MPa                        | (7) Minimum air pressure: 45PSI, 0.4MPa                               |
| (8) 本体颜色: UPVC (深灰色)、CPVC (浅灰色)               | (8) Body color: UPVC (dark gray), CPVC (light gray)                   |

NOM.	SIZE	dn20	dn25	dn32	dn40	dn50	dn63	dn75	dn90	dn110
		(DN15)	(DN20)	(DN25)	(DN32)	(DN40)	(DN50)	(DN65)	(DN80)	(DN100)
		(1/2")	(3/4")	(1")	(1-1/4")	(1-1/2")	(2")	(2-1/2")	(3")	(4")
DIN ANSI JIS	I	22	22	25	28	31	38	44	51	61
	D	56	63	75	88	99	117	141	164	202
	L	103	117	133	149	165	190	235	270	320
	M	31	33	40	52	52	70	84	84	121
	F	—	—	—	—	—	—	45	45	49
	Q	2 × M6	2 × M6	2 × M6	2 × M8	2 × M8	2 × M8	4 × M10	4 × M10	4 × M10
	扭力 (N·M)	2	3	4	6	8	12	18	26	35

### 执行机构工作模式双作用/单作用 (NC常闭、NO常开)

Actuator working mode double-acting/single-acting (NC normally closed, NO normally open)

规格	20	25	32	40	50	63	75	90	110
	1/2"	3/4"	1"	1 1/4"	1 1/2"	2"	2 1/2"	3"	4"
控制压力	4~8								
NAMUR标准气源接口	G 1/4"								
双作用执行器型号	TBN032D	TBN032D	TBN032D	TBN052D	TBN052D	TBN63D	TBN75D	TBN83D	TBN92D
单作用执行器型号	TBN052SK	TBN052SK	TBN052SK	TBN063SK	TBN063SK	TBN75SK	TBN83SK	TBN92SK	TBN105SK



### 电动球阀 Electric driven valves

#### 描述 Describe

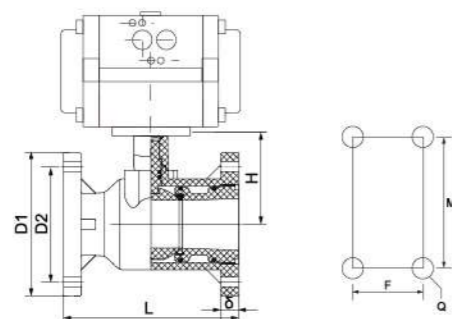
- |   |   |
|---|---|
| (1) 材质: UPVC、CPVC                             | (1) Material: UPVC, CPVC  |
| (2) 尺寸: 2"-12", DN50-DN300, dn63-dn315        | (2) Size: 2"-12", DN50-DN300, dn63-dn315                              |
| (3) 标准: ANSI, DIN                             | (3) Standards: ANSI, DIN  |
| (4) 连接: 插口                                    | (4) Connection: Socket  |
| (5) 工作压力: 150PSI、1.0MPa                       | (5) Work pressure: 150PSI, 1.0MPa                                     |
| (6) 操作温度: UPVC (-10°C-60°C)、CPVC (-10°C-90°C) | (6) Operating temperature: UPVC (-10 °C -60 °C), CPVC (-10 °C -90 °C) |
| (7) 本体颜色: UPVC (深灰色)、CPVC (浅灰色)               | (7) Body color: UPVC (dark gray), CPVC (light gray)                   |

NOM.	SIZE	dn20	dn25	dn32	dn40	dn50	dn63	dn75	dn90	dn110
		(DN15)	(DN20)	(DN25)	(DN32)	(DN40)	(DN50)	(DN65)	(DN80)	(DN100)
		(1/2")	(3/4")	(1")	(1-1/4")	(1-1/2")	(2")	(2-1/2")	(3")	(4")
DIN ANSI JIS	I	22	22	25	28	31	38	44	51	61
	D	56	63	75	88	99	117	141	164	202
	L	103	117	133	149	165	190	235	270	320
	M	31	33	40	52	52	70	84	84	121
	F	—	—	—	—	—	—	45	45	49
	Q	2 × M6	2 × M6	2 × M6	2 × M8	2 × M8	2 × M8	4 × M10	4 × M10	4 × M10
	扭力 (N·M)	2	3	4	6	8	12	18	26	35

### 电动执行器规格参数

Electric actuator specifications

球阀	型号	最大输出扭矩	动作时间90°		输出轴	电机	额定电流		
		N·M	特殊	标准			mm	W	AC 220V/A
dn20-dn50	RL003	30	5-10	15	11*11	AC20 DC2	0.1	0.05	0.2
dn63-dn75	RL005	50	5-15	30	14*14	15	0.15	0.1	2
dn90	RL010	100	15/30/60	30	17*17	31	0.28	0.19	2.5
dn110	RL015	150	15/30/60	40	17*17	50	0.5	0.22	5



### 气动法兰球阀 Pneumatic flange ball valve

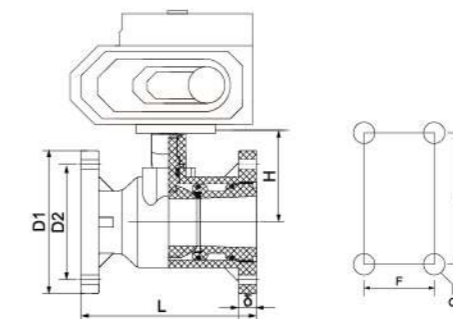
#### 描述 Describe

- |   |   |
|---|---|
| (1) 材质: UPVC、CPVC                             | (1) Material: UPVC, CPVC  |
| (2) 尺寸: 1"-4", DN25-DN100, dn32-dn110         | (2) Size: 1"-4", DN25-DN100, DN32-DN110                               |
| (3) 标准: DIN                                   | (3) Standard: DIN   |
| (4) 连接: 法兰                                    | (4) Connection: flange  |
| (5) 工作压力: 150PSI、1.0MPa                       | (5) Work pressure: 150PSI, 1.0MPa                                     |
| (6) 操作温度: UPVC (-10°C-60°C)、CPVC (-10°C-90°C) | (6) Operating temperature: UPVC (-10 °C -60 °C), CPVC (-10 °C -90 °C) |
| (7) 最小气压: 45PSI、0.4MPa                        | (7) Minimum air pressure: 45PSI, 0.4MPa                               |
| (8) 本体颜色: UPVC (深灰色)、CPVC (浅灰色)               | (8) Body color: UPVC (dark gray), CPVC (light gray)                   |

NOM.	SIZE	dn32	dn40	dn50	dn63	dn75	dn90	dn110	dn140	dn160
		(DN25)	(DN32)	(DN40)	(DN50)	(DN65)	(DN80)	(DN100)	(DN125)	(DN150)
		(1")	(1-1/4")	(1-1/2")	(2")	(2-1/2")	(3")	(4")	(5")	(6")
D1		115	140	145	165	180	195	220	250	285
D2	DIN	85	100	110	125	145	160	180	210	240
	ANSI	79	89	98	121	140	152	191	216	241
	JIS	42.5	48.5	61	73	90	105	132	158	186
N-Φ	DIN	4-Φ14	4-Φ18	4-Φ18	4-Φ18	4-Φ18	8-Φ18	8-Φ18	8-Φ18	8-Φ18
	ANSI	4-Φ16	4-Φ16	4-Φ16	4-Φ19	4-Φ19	4-Φ19	4-Φ19	8-Φ22	8-Φ22
	JIS	4-Φ19	4-Φ19	4-Φ19	4-Φ19	4-Φ19	8-Φ19	8-Φ19	8-Φ23	8-Φ23
6		16	18	18	20	20	25	25	27	29
F		—	—	—	—	45	45	49	49	49
M		40	52	52	70	84	84	121	121	121
Q		2×M6	2×M8	2×M8	2×M8	4×M10	4×M10	4×M10	4×M10	4×M10
扭力 (N·M)		4	6	8	12	18	26	35		

### 执行机构工作模式双作用/单作用 (NC常闭、NO常开) Actuator working mode double-acting/single-acting (NC normally closed, NO normally open)

规格	20	25	32	40	50	63	75	90	110	140	160
	1/2"	3/4"	1"	1 1/4"	1 1/2"	2"	2 1/2"	3"	4"	5"	6"
控制压力	4~8										
NAMUR标准气源接口	G 1/4"										
双作用执行器型号	TBN032D	TBN032D	TBN032D	TBN052D	TBN052D	TBN63D	TBN75D	TBN83D	TBN92D	TBN105D	TBN125D
单作用执行器型号	TBN052SK	TBN052SK	TBN052SK	TBN063SK	TBN063SK	TBN75SK	TBN83SK	TBN92SK	TBN105SK	TBN125SK	TBN140SK



### 电动法兰球阀 Electric flange ball valve

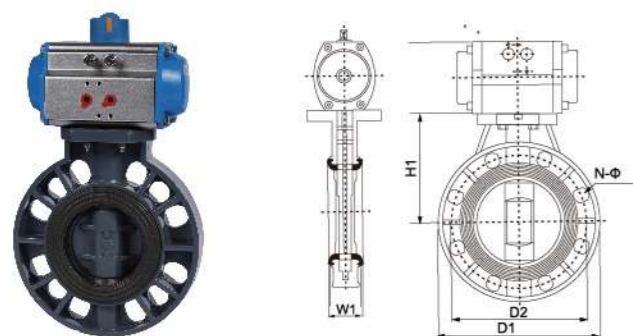
#### 描述 Describe

- |   |   |
|---|---|
| (1) 材质: UPVC、CPVC                             | (1) Material: UPVC, CPVC  |
| (2) 尺寸: 2"-12", DN50-DN300, dn63-dn315        | (2) Size: 2"-12", DN50-DN300, dn63-dn315                              |
| (3) 标准: ANSI、DIN                              | (3) Standards: ANSI, DIN  |
| (4) 连接: 法兰                                    | (4) Connection: flange  |
| (5) 工作压力: 150PSI、1.0MPa                       | (5) Work pressure: 150PSI, 1.0MPa                                     |
| (6) 操作温度: UPVC (-10°C-60°C)、CPVC (-10°C-90°C) | (6) Operating temperature: UPVC (-10 °C -60 °C), CPVC (-10 °C -90 °C) |
| (7) 本体颜色: UPVC (深灰色)、CPVC (浅灰色)               | (7) Body color: UPVC (dark gray), CPVC (light gray)                   |

NOM.	SIZE	dn32	dn40	dn50	dn63	dn75	dn90	dn110	dn140	dn160
		(DN25)	(DN32)	(DN40)	(DN50)	(DN65)	(DN80)	(DN100)	(DN125)	(DN150)
		(1")	(1-1/4")	(1-1/2")	(2")	(2-1/2")	(3")	(4")	(5")	(6")
D1		115	140	145	165	180	195	220	250	285
D2	DIN	85	100	110	125	145	160	180	210	240
	ANSI	79	89	98	121	140	152	191	216	241
	JIS	42.5	48.5	61	73	90	105	132	158	186
N-Φ	DIN	4-Φ14	4-Φ18	4-Φ18	4-Φ18	4-Φ18	8-Φ18	8-Φ18	8-Φ18	8-Φ18
	ANSI	4-Φ16	4-Φ16	4-Φ16	4-Φ19	4-Φ19	4-Φ19	4-Φ19	8-Φ22	8-Φ22
	JIS	4-Φ19	4-Φ19	4-Φ19	4-Φ19	4-Φ19	8-Φ19	8-Φ19	8-Φ23	8-Φ23
6		16	18	18	20	20	25	25	27	29
F		—	—	—	—	45	45	49	49	49
M		40	52	52	70	84	84	121	121	121
Q		2×M6	2×M8	2×M8	2×M8	4×M10	4×M10	4×M10	4×M10	4×M10
扭力 (N·M)		4	6	8	12	18	26	35		

### 电动执行器规格参数 Electric actuator specifications

球阀	型号	最大输出扭矩	动作时间90°		输出轴	电机	额定电流		
		N·M	特殊	标准			mm	W	AC 220V/A
dn20-dn50	RL003	30	5-10	15	11*11	AC20 DC2	0.1	0.05	0.2
dn63-dn75	RL005	50	5-15	30	14*14	15	0.15	0.1	2
dn90	RL010	100	15/30/60	30	17*17	31	0.28	0.19	2.5
dn110	RL015	150	15/30/60	40	17*17	50	0.5	0.22	5
dn140	RL020	200	5/15/90	40	22*22	71	0.6	0.25	8.5
dn160	RL050	400	5/15/90	40	22*22	118	1	0.5	8.5



### 气动蝶阀 Pneumatic butterfly valve

#### 描述 Describe

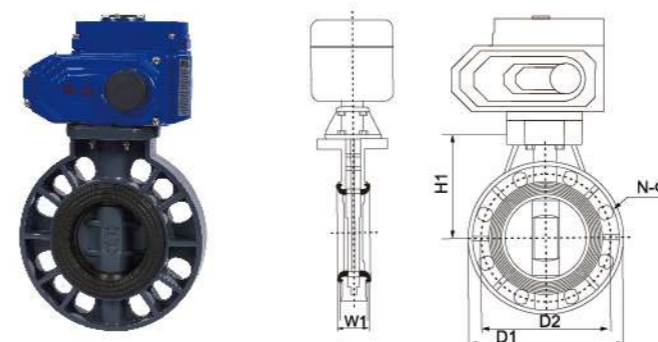
- |   |   |
|---|---|
| (1) 材质: UPVC、CPVC                             | (1) Material: UPVC, CPVC  |
| (2) 尺寸: 2"-12", DN50-DN300, dn63-dn315        | (2) Size: 2"-12", DN50-DN300, dn63-dn315                              |
| (3) 标准: ANSI、DIN                              | (3) Standards: ANSI, DIN  |
| (4) 连接: 法兰                                    | (4) Connection: flange  |
| (5) 工作压力: 150PSI、1.0MPa                       | (5) Work pressure: 150PSI, 1.0MPa                                     |
| (6) 操作温度: UPVC (-10°C-60°C)、CPVC (-10°C-90°C) | (6) Operating temperature: UPVC (-10 °C -60 °C), CPVC (-10 °C -90 °C) |
| (7) 最小气压: 45PSI、0.4MPa                        | (7) Minimum air pressure: 45PSI, 0.4MPa                               |
| (8) 本体颜色: UPVC (深灰色)、CPVC (浅灰色)               | (8) Body color: UPVC (dark gray), CPVC (light gray)                   |

SIZE		dn63	dn75	dn90	dn110	dn140	dn160	dn225	dn280	dn315
NOM.		(DN50)	(DN65)	(DN80)	(DN100)	(DN125)	(DN150)	(DN200)	(DN250)	(DN300)
		(2')	(2-1/2')	(3')	(4')	(5')	(6')	(8')	(10')	(12')
D1		160	180	196	228	258	287	344	411	490
D2	DIN	125	145	160	180	210	240	295	350	400
	ANSI	121	140	152	191	216	241	298	362	346
	JIS	120	140	150	175	210	240	290	355	400
N-Φ	DIN	4-Φ18	4-Φ18	8-Φ18	8-Φ18	8-Φ18	8-Φ22	8-Φ22	8-Φ22	12-Φ22
	ANSI	4-Φ19	4-Φ19	4-Φ19	4-Φ19	8-Φ22	8-Φ22	8-Φ22	12-Φ25	12-Φ25
	JIS	4-Φ19	4-Φ19	8-Φ19	8-Φ19	8-Φ23	8-Φ23	12-Φ23	12-Φ25	16-Φ25
H1		100	110	132	155	167	180	225	260	280
W1		43	46	49	54	64	70	88	98	108
扭力 (N·M)		10	10	15	22	40	45	65	—	—

### 执行机构工作模式双作用/单作用 (NC常闭、NO常开)

Actuator working mode double-acting/single-acting (NC normally closed, NO normally open)

规格	63	75	90	110	140	160	225	280	315
	2"	2 1/2"	3"	4"	5"	6"	8"	10"	12"
控制压力	4-8								
NAMUR标准气源接口	G 1/4"								
双作用执行器型号	TBN052D	TBN063D	TBN075D	TBN083D	TBN092D	TBN105D	TBN105D	TBN125D	TBN140D
单作用执行器型号	TBN063SK	TBN075SK	TBN083SK	TBN092SK	TBN105SK	TBN125SK	TBN125SK	TBN140SK	TBN160SK



### 电动蝶阀 Electric butterfly valve

#### 描述 Describe

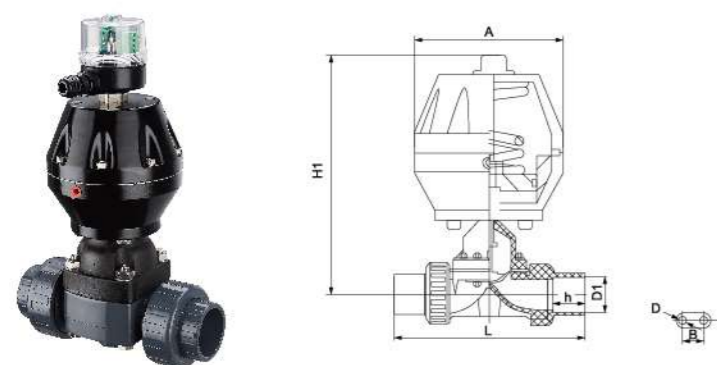
- |   |   |
|---|---|
| (1) 材质: UPVC、CPVC                             | (1) Material: UPVC, CPVC  |
| (2) 尺寸: 2"-12", DN50-DN300, dn63-dn315        | (2) Size: 2"-12", DN50-DN300, dn63-dn315                              |
| (3) 标准: ANSI、DIN                              | (3) Standards: ANSI, DIN  |
| (4) 连接: 法兰                                    | (4) Connection: flange  |
| (5) 工作压力: 150PSI、1.0MPa                       | (5) Work pressure: 150PSI, 1.0MPa                                     |
| (6) 操作温度: UPVC (-10°C-60°C)、CPVC (-10°C-90°C) | (6) Operating temperature: UPVC (-10 °C -60 °C), CPVC (-10 °C -90 °C) |
| (7) 本体颜色: UPVC (深灰色)、CPVC (浅灰色)               | (7) Body color: UPVC (dark gray), CPVC (light gray)                   |

SIZE		dn63	dn75	dn90	dn110	dn140	dn160	dn225	dn280	dn315
NOM.		(DN50)	(DN65)	(DN80)	(DN100)	(DN125)	(DN150)	(DN200)	(DN250)	(DN300)
		(2')	(2-1/2')	(3')	(4')	(5')	(6')	(8')	(10')	(12')
D1		160	180	196	228	258	287	344	411	490
D2		125	145	160	180	210	240	295	350	400
N-Φ		4-Φ18	4-Φ18	8-Φ18	8-Φ18	8-Φ18	8-Φ22	8-Φ22	8-Φ22	12-Φ22
H1		100	110	132	155	167	180	225	260	280
W1		43	46	49	54	64	70	88	98	108
扭力 (N·M)		10	10	15	22	40	45	65	—	—

### 电动执行器规格参数

Electric actuator specifications

球阀	型号	最大输出扭矩	动作时间90°		输出轴	电机	额定电流		
		N·M	特殊	标准			mm	W	AC 220V/A
dn63-dn75	RL003	30	5-10	15	11*11	AC20 DC2	0.1	0.05	0.2
dn90-dn110	RL005	50	5-15	30	14*14	15	0.15	0.1	2
dn140	RL010	100	15/30/60	30	17*17	31	0.28	0.19	2.5
dn160	RL015	150	15/30/60	40	17*17	50	0.5	0.22	5
dn225	RL020	200	5/15/90	40	22*22	71	0.6	0.25	8.5
dn280	RL050	400	5/15/90	40	22*22	118	1	0.5	8.5
dn315	RL100	1000	5/15/40	40	27*27	118	1	0.5	9



**气动UPVC双由令隔膜阀 Pneumatic UPVC double driven diaphragm valve**

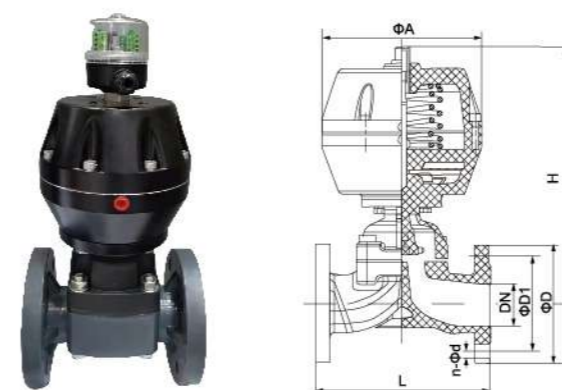
气动 UPVC 双由令隔膜阀的特点是隔膜把下部阀体内腔与上部阀盖内腔隔开，使位于隔膜上方的阀杆、阀瓣等零件不受介质腐蚀，省去了填料密封结构，且不会产生介质外漏。内腔隔开件是采用橡胶或塑料等软质密封制作的隔膜，密封性较好。

The feature of the pneumatic UPVC dual-route diaphragm valve is that the diaphragm separates the inner cavity of the lower valve body from the inner cavity of the upper valve cover, so that the valve stem, valve disc and other parts located above the diaphragm are not corroded by the medium, and the packing seal structure is omitted, and No medium leakage occurs. The inner cavity partition is a diaphragm made of rubber or plastic with a soft seal, which has good sealing performance.

**主要材料 Main material**

NO.	名称 Name	材质 Material
1	阀体 Body	UPVC
2	隔膜 Diaphragm	EPDM
2a	拷贝 Copy	EPDM
3	阀瓣 Disc	NILO
4	阀盖 Cover	UPVC
5	阀杆 Stem	2Cr13
6	阀杆螺母 Stem nut	HPb59-1
7	气缸 Cylinder	铝合金 Aluminum alloy
8	并帽 Cap	塑料 Plastic

NOM.	SIZE	dn20	dn25	dn32	dn40	dn50	dn63	
		(DN15) (1/2")	(DN20) (3/4")	(DN25) (1")	(DN32) (1-1/4")	(DN40) (1-1/2")	(DN50) (2")	
DIN ANSI JIS	PN(MPa)	0.6	0.6	0.6	0.6	0.6	0.6	
	Size (mm) standard	L	145	160	175	200	225	272
		D1	20	25	32	40	50	63
		A	110	110	110	110	140	170
	Reference	H1	195	200	210	228	240	290
		W(kg)	2	2.3	2.5	3	5	8
	D	8	8	8	8	10	10	
B	25	25	25	36	36	45		



**气动UPVC法兰式隔膜阀 Pneumatic UPVC flange diaphragm valve**

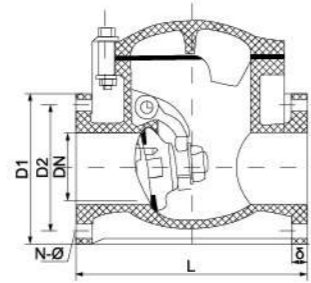
采用耐腐蚀的阀体和耐腐蚀的隔膜、无填料函结构、节流元件为弹性隔膜、阀体流道平滑，故气动薄膜隔膜阀具有应力小，流量大、无外漏和方便可靠、防火防爆的优点，广泛适用于工业自动化系统中的弱酸、弱碱、弱腐蚀、高粘度、含颗粒、带纤维以及有毒和不允许污染的介质的流量调节。

It adopts corrosion-resistant valve body and corrosion-resistant diaphragm, no stuffing box structure, the throttling element is elastic diaphragm, and the flow channel of the valve body is smooth. Therefore, the pneumatic membrane diaphragm valve has the advantages of low stress, large flow, no external leakage, convenience, reliability, fire and explosion prevention. It is widely applicable to weak acid, weak alkali, weak corrosion, high viscosity, containing particles and Flow regulation with fiber and toxic and non polluting media.

**主要材料 Main material**

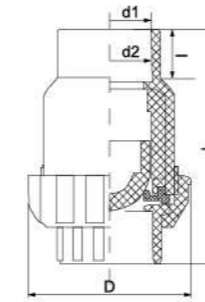
NO.	名称 Name	材质 Material
1	阀体 Body	UPVC
2	阀盖 Cover	UPVC
3	隔膜 Diaphragm	EPDM+F46
4	阀瓣 Disc	UPVC
5	气缸 Cylinder	铝合金 Aluminum alloy
6	活塞 Piston	铝合金 Aluminum alloy
7	阀杆 Stem	不锈钢304/45#Stainless steel 304 / 45#
8	连接方式 Connection mode	法兰 Flange

NOM.	SIZE	dn20	dn25	dn32	dn40	dn50	dn63	dn75	dn90	dn110	dn140	dn160	dn225	
		(DN15) (1/2")	(DN20) (3/4")	(DN25) (1")	(DN32) (1-1/4")	(DN40) (1-1/2")	(DN50) (2")	(DN65) (2-1/2")	(DN80) (3")	(DN100) (4")	(DN125) (5")	(DN150) (6")	480	(DN200) (8")
DIN ANSI JIS	L	125	135	145	150	180	210	250	300	350	400	280	570	
	D	95	105	115	135	145	160	180	195	215	245	240	335	
	D1	HG	65	75	85	100	110	125	145	160	180	210	240	295
		JIS	70	75	90		105	120	140	150	175	210	240	290
		DIN	65	75	85		110	125	145	160	180	210	240	295
		ANSI	60	70	80		100	120	140	152	190	216	8	298
	JIS	n	4	4	4	4	4	4	4	8	8	8	23	8
		Φd	14	14	14	18	18	18	18	18	18	18	370	23
		A	110	110	110	140	170	170	200	230	260	310		490
		H	15	220	225	240	285	307	327	390	470	637		
阀门重量(KG)		2	2.3	2.5	3	5	8	13	16	24	30			



旋启式止回阀 Swing check valve

NOM.	SIZE	dn25	dn32	dn40	dn50	dn63	dn75	dn90	dn110	dn140	dn160	dn225	dn280	dn315
		(DN20)	(DN25)	(DN32)	(DN40)	(DN50)	(DN65)	(DN80)	(DN100)	(DN125)	(DN150)	(DN200)	(DN250)	(DN300)
		(3/4")	(1")	(1-1/4")	(1-1/2")	(2")	(2-1/2")	(3")	(4")	(5")	(6")	(8")	(10")	(12")
D1	DIN	105	115	145	145	160	180	197	215	250	280	340	390	440
	ANSI	98	108	117	128	155	178	192	229	254	284	343	406	481
	JIS	75	90	100	105	120	140	150	175	210	240	290	355	400
D2	DIN	75	85	100	110	125	145	160	180	210	240	295	350	400
	ANSI	70	79	89	98	121	140	152	191	216	241	298	362	432
	JIS	35	42.5	48.5	61	73	90	105	132	158	186	238	289	341
N-Φ	DIN	4-Φ14	4-Φ14	4-Φ18	4-Φ18	4-Φ18	4-Φ18	8-Φ18	8-Φ18	8-Φ18	8-Φ23	8-Φ23	12-Φ23	12-Φ23
	ANSI	4-Φ16	4-Φ16	4-Φ16	4-Φ16	4-Φ19	4-Φ19	4-Φ19	4-Φ19	8-Φ22	8-Φ22	8-Φ22	12-Φ24	12-Φ24
	JIS	4-Φ15	4-Φ19	4-Φ19	4-Φ19	4-Φ19	4-Φ19	8-Φ19	8-Φ19	8-Φ23	8-Φ23	12-Φ23	12-Φ25	16-Φ25
L		140	160	170	170	200	245	265	300	350	400	500	575	575
B		15	15	16	16	20	22	22	22	24	26	28	30	30
工作压力 (MPa)		0.6	0.6	0.6	0.6	0.6	0.6	0.6	0.6	0.6	0.6	0.6	0.6	0.6

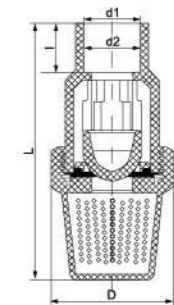


球芯式止回阀 (H61X-10S) Ball check valve

NOM.	SIZE	dn20	dn25	dn32	dn40	dn50	dn63	dn75	dn90	dn110
		(DN15)	(DN20)	(DN25)	(DN32)	(DN40)	(DN50)	(DN65)	(DN80)	(DN100)
		(1/2")	(3/4")	(1")	(1-1/4")	(1-1/2")	(2")	(2-1/2")	(3")	(4")
DIN	d1	20.3	25.3	32.3	40.3	50.3	63.3	75.3	90.3	110.4
	d2	20.1	25.1	32.1	40.1	50.1	63.1	75.1	90.1	110.1
ANSI	d1	21.51	26.87	33.62	42.6	48.54	60.65	73.39	89.31	114.8
	d2	21.25	26.6	33.3	42.06	48.18	60.27	72.9	88.8	114.2
JIS	d1	22.4	26.45	32.56	38.63	48.73	56.82	58.63	89.66	114.27
	d2	21.75	25.7	31.71	37.67	47.76	55.77	57.67	88.63	113.2
D		53	63	73	85	97	118	134	158	202
L		90	106	124	139	151	169	230	262	346
I		16	19	22	26	31	38	44	51	61

球芯式底阀 (H62X-10S) Ball bottom valve

NOM.	SIZE	dn20	dn25	dn32	dn40	dn50	dn63	dn75	dn90	dn110
		(DN15)	(DN20)	(DN25)	(DN32)	(DN40)	(DN50)	(DN65)	(DN80)	(DN100)
		(1/2")	(3/4")	(1")	(1-1/4")	(1-1/2")	(2")	(2-1/2")	(3")	(4")
DIN	d1	20.3	25.3	32.3	40.3	50.3	63.3	75.3	90.3	110.4
	d2	20.1	25.1	32.1	40.1	50.1	63.1	75.1	90.1	110.1
ANSI	d1	21.51	26.87	33.62	42.6	48.54	60.65	73.39	89.31	114.8
	d2	21.25	26.6	33.3	42.06	48.18	60.27	72.9	88.8	114.2
JIS	d1	22.4	26.45	32.56	38.63	48.73	56.82	58.63	89.66	114.27
	d2	21.75	25.7	31.71	37.67	47.76	55.77	57.67	88.63	113.2
D		55	63	73	85	97	118	134	158	202
L		120	146	174	190	206	235	302	350	428
I		22	22	22	26	31	38	44	51	61



四、用测量工具取管件承插深度，将量取尺寸标记在管材插口处

Use measuring instruments to measure the depth of the reception of the joints and mark the measured data on the inserting part of the joints.



五、开始粘接

Start the bonding

(1) 首先用力将预粘胶涂于管件承插内壁，此操作严禁预粘胶流入管件内部。(见图1)

Firstly apply the preliminary glue on the joint. It is prohibited to allow the glue to flow into the joints. (See picture 1)

(2) 然后用力将预粘胶涂抹于管材插口标记范围。(见图2)

Then apply the preliminary glue in the scope marked on the pipe. (See picture 2)



图1

图2



图3

图4

(3) 在管材插口处涂抹均匀的胶水，胶水涂抹长度为标记范围。(见图3)

Homogeneously apply glue on the inserting part of the pipe the applied length being the marking scope. (See picture 3)

(4) 紧接着用涂抹过管材的刷子在管件的承插内壁涂抹胶水。(见图4)

Immediately afterwards. Used the same brush to apply glue onto the receiver of the joint. (See picture 4)

(5) 当胶水还是湿润时，马上将管材插入管件，并用足够的力度将管材推到管件的承底。并且将管材和管件相对圆周旋转 15° - 45°。(见图5)

When the glue is wet, immediately insert the joint and use enough force to push it to the end and twist it an angle of 15 to 45 degrees. (See picture 5)

(6) 按紧接好的管道接口，静止受力直到管件不会被推出为止。(见图6)

Push the glued connection of the joints, make sure the joints will not be pushed out under static force. (See picture 6)



图5

图6

(7) 当接合管道工作完成后，接口处应该有一圈胶水。(见图7)

Upon the completion of the bonding work, there should be a ring of glue at the connecting part. (See picture 7)

(8) 用布擦掉接口处多余的胶水。(见图8)

Use a piece of cloth to wipe off the redundant glue at the connecting part. (See picture 8)

(9) 小口径管可用手工插接，中大口径管道应该用专用安装机进行安装和操作。

Tubes with small diameter are able to be inserted manually, while middle and large diameter tubes have needs to be installed and operated by using special installing machine.



图7

图8

涂胶承插后禁止受力时间

Prohibited time after glued socket

规格 Specifications	DN15	DN20	DN25	DN32	DN40	DN50	DN65	DN80	DN100
禁止受力时间 ( Minutes ) Time of force sustaining	1	1	1.5	2	2	2	3	3	4

规格 Specifications	DN125	DN150	DN200	DN250	DN300	DN350	DN400	DN500	DN600
禁止受力时间 ( Minutes ) Time of force sustaining	5	8	8	15	20	25	28	30	35

此数据是由本公司实验所测试而得，由于使用场合不同此数据仅能作为基本参考而已。

This data comes from test of experiment of our company, which only can be basic reference due to different use occasions.

胶粘剂的初步固化时间

The initial curing time of the adhesive

温度范围℃ Temperature Range	管道尺寸 Tube Size				
	DN15~DN32	DN40~DN50	DN65~DN200	DN250~DN400	>DN400
15~40	2分钟 ( Minutes )	3分钟 ( Minutes )	30分钟 ( Minutes )	2小时 ( Hours )	4小时 ( Hours )
5~15	5分钟 ( Minutes )	8分钟 ( Minutes )	2小时 ( Hours )	8小时 ( Hours )	16小时 ( Hours )
0~5	10分钟 ( Minutes )	15分钟 ( Minutes )	12小时 ( Hours )	24小时 ( Hours )	48小时 ( Hours )

\*注：此数据为实验数据并会因胶粘的不同而有所不同，仅供参考。

\*Note: The above date is experimental date which will change due to different adhesive. It is just reference.

胶粘剂的固化时间

Adhesive curing time

安装固化时环境温度℃ Environmental Temperature For Installing And Solidifying °C	固化时间 Solidification Time							
	DN15~DN32		DN40~DN55		DN65~DN200		DN250~DN400	>DN400
可承受压力 kgf/cm <sup>2</sup> Durable Pressure kgf/cm <sup>2</sup>								
	<11	11~26	<11	11~22	<11	11~22	<7	<7
16~38	15分钟 ( Minutes )	6小时 ( Hours )	25分钟 ( Minutes )	12小时 ( Hours )	1.5小时 ( Hours )	24小时 ( Hours )	48小时 ( Hours )	72小时 ( Hours )
15~16	20分钟 ( Minutes )	12小时 ( Hours )	30分钟 ( Minutes )	24小时 ( Hours )	4小时 ( Hours )	48小时 ( Hours )	96小时 ( Hours )	6小时 ( Hours )
0~5	30分钟 ( Minutes )	48小时 ( Hours )	45分钟 ( Minutes )	96小时 ( Hours )	72小时 ( Hours )	8天 ( Days )	8天 ( Days )	14天 ( Days )

\*注：上述固化时间相对湿度 ≤ 60%，在潮湿的环境下固化时间还需增加50%。

\*Note: Relative humidity of above solidification time ≤ 60%. Solidification time has been needs to be added 50% more in the wet environment.



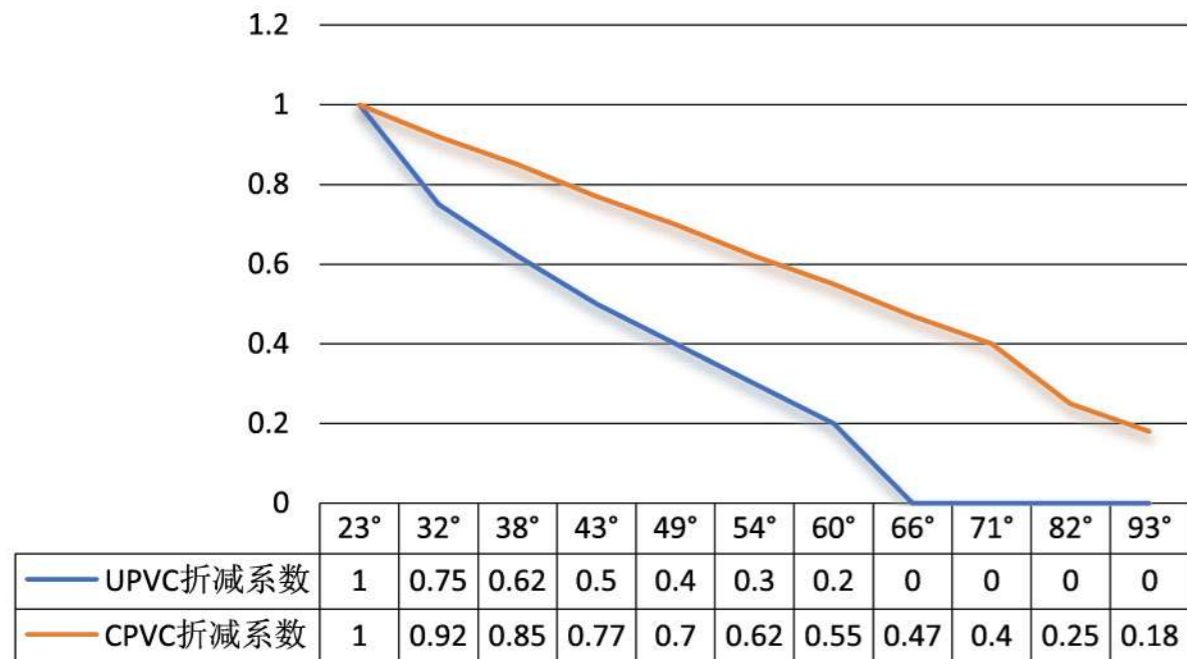
**胶水用量 Glue consumption**

规格 Specifications	DN15	DN20	DN25	DN32	DN40	DN50	DN65	DN80	DN100
接口数 (只) Number of interfaces	350	275	200	150	100	80	70	60	40
胶水用量 (kg) Consumption of glue	1	1	1	1	1	1	1	1	1

规格 Specifications	DN125	DN150	DN200	DN250	DN300	DN350	DN400	DN500	DN600
接口数 (只) Number of interfaces	18	12	8	6	4	3	2	1	1/2
胶水用量 (kg) Consumption of glue	1	1	1	1	1	1	1	1	1

此数据是由本公司实验所测试而得，由于使用场合不同此数据仅能作为基本参考而已。  
This data comes from test of experiment of our company, which only can be basic reference due to different use occasions.

**UPVC、CPVC使用温度与操作压力折减表  
UPVC and CPVC operating temperature and pressure reduction table**



**UPVC管道系统支撑数据表  
Supporting table of UPVC pipelines**

公称通径 DN		15	20	25	32	40	50	65	80	100	125	150
支撑间距 (M)	23°C	1.2	1.3	1.4	1.5	1.7	1.9	2.1	2.3	2.6	2.8	3.0
	38°C	1.1	1.2	1.3	1.4	1.6	1.8	2.0	2.1	2.4	2.6	2.8
	49°C	1.0	1.1	1.2	1.3	1.4	1.6	1.8	1.9	2.0	2.1	2.2
	60°C	0.7	0.8	1.0	1.1	1.2	1.4	1.5	1.6	1.7	1.8	1.9

注：支撑数据适用条件，管路水平铺设，流体介质密度1.0g/cm³。  
Note: Application conditions of supporting date, horizontally paved pipelines, fluid media density: 1.0g/cm³.

公称通径 DN		200	250	300	350	400	500	600	700	800	900	1000
支撑间距 (M)	23°C	3.1	3.2	3.3	3.4	3.5	3.6	3.7	3.8	3.9	4.0	4.2
	38°C	2.9	3.0	3.1	3.2	3.3	3.4	3.5	3.6	3.7	3.8	4.0
	49°C	2.3	2.4	2.5	2.6	2.7	2.8	2.9	3.0	3.1	3.2	3.4
	60°C	2.0	2.1	2.2	2.3	2.4	2.5	2.6	2.7	2.8	2.9	3.0

注：支撑数据适用条件，管路水平铺设，流体介质密度1.0g/cm³。  
Note: application conditions of supporting date, horizontally paved pipelines, fluid media density: 1.0g/cm³.

**CPVC管道系统支撑数据表  
Supporting table of CPVC pipelines**

公称通径 DN		15	20	25	32	40	50	65	80	100	125	150	200	250	300	350	400
支撑间距 (M)	23°C	1.5	1.6	1.7	1.8	1.9	2.0	2.1	2.2	2.3	2.4	2.5	2.7	3.1	3.2	3.4	3.6
	38°C	1.4	1.5	1.6	1.7	1.8	1.9	2.0	2.1	2.2	2.3	2.4	2.6	3.0	3.1	3.3	3.5
	49°C	1.3	1.4	1.5	1.6	1.7	1.8	1.9	2.0	2.1	2.2	2.3	2.5	2.9	3.0	3.1	3.2
	60°C	1.2	1.3	1.4	1.5	1.6	1.7	1.8	1.9	2.0	2.1	2.2	2.4	2.6	2.7	2.8	3.0
	75°C	0.7	0.8	0.9	1.0	1.1	1.2	1.3	1.4	1.5	1.6	1.7	1.8	2.0	2.1	2.2	2.4
	85°C	0.6	0.7	0.8	0.9	1.0	1.1	1.2	1.3	1.4	1.5	1.6	1.7	1.8	1.9	2.0	2.2

注：支撑数据适用条件，管路水平铺设，流体介质密度1.0g/cm³。  
Note: application conditions of supporting date, horizontally paved pipelines, fluid media density: 1.0g/cm³.







耐化学腐蚀性能表9 Chemical corrosion resistance table

Table with 10 columns: Chemicals, Concentration, Temperature, Plastic (UPVC, CPVC, PTFE), Rubber (NBR, EPDM, FPM). Rows include Potassium iodide, Hydrogen iodide, Sodium iodide, Iodine, Iodine solution, Casein, Sodium hydrosulfite, Aniline, Glyoxylic acid, Phenol, Urine, Urea, Cryolite, and Mercury.

Table with 10 columns: Chemicals, Concentration, Temperature, Plastic (UPVC, CPVC, PTFE), Rubber (NBR, EPDM, FPM). Rows include Morphine, Fructose, Lactic acid, Lactose, Beer, Vinegar, Salt water, Potable water, Ammonia, Citric acid, Magnesium citrate, Glucose, Corn syrup, and Castor oil.

耐化学腐蚀性能表10 Chemical corrosion resistance table

Table with 10 columns: Chemicals, Concentration, Temperature, Plastic (UPVC, CPVC, PTFE), Rubber (NBR, EPDM, FPM). Rows include Chromic acid, Potassium chromate, Chromic alum, Chloroacetic acid, Phosphorus pentoxide, Oxygen gas, Soap, Beet sugar, Cottonseed oil, and Bleaching liquid.

Table with 10 columns: Chemicals, Concentration, Temperature, Plastic (UPVC, CPVC, PTFE), Rubber (NBR, EPDM, FPM). Rows include Acetic acid, Zinc acetate, Aluminum acetate, Ammonium acetate, Potassium acetate, Calcium acetate, Ferrous acetate, Copper acetate, Sodium acetate, Lead acetate, and Hypochlorous acid.

